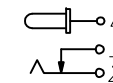
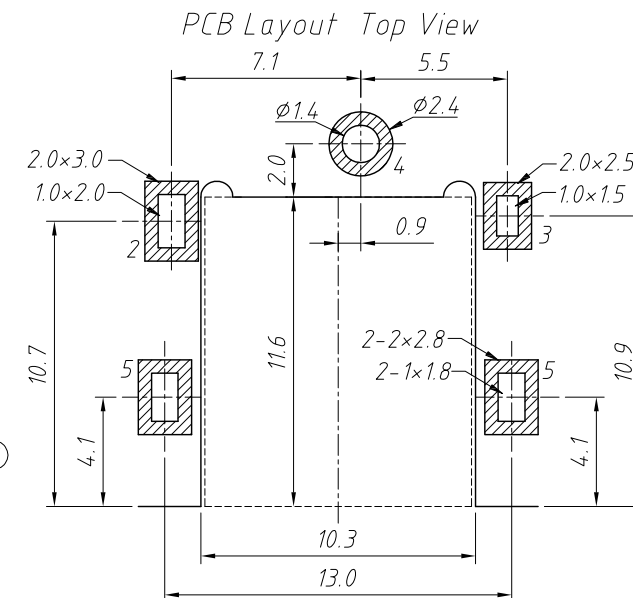
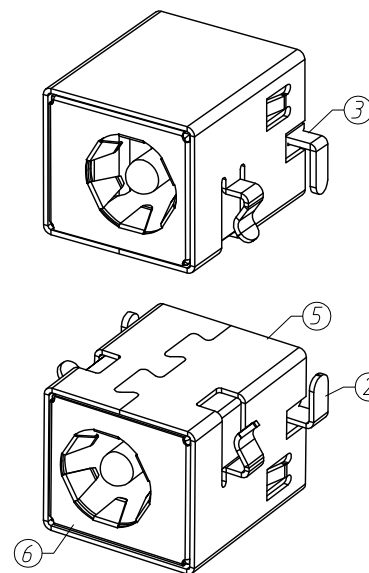
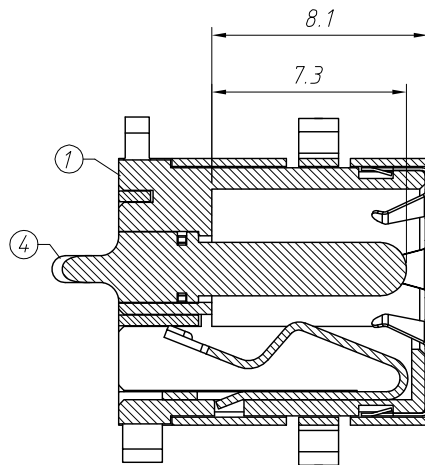
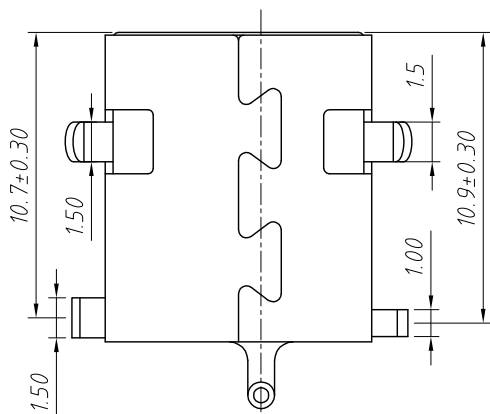


SCHEMATIC




PIN	φ2.0	φ2.5	φ1.65
APPD			



SPECIFICATION

Rated Load:DC 24V 4A
 Contact resistance:30mΩ, max
 Insulation resistance:100MΩ, min
 Withstand Voltage:AC500V
 Actuating Force:3-20N
 Life:5000 cycles
 Operating Temperature:-30°C-70°C

NO.	Description	QTY	Material	Plating
1	Housing	1	PA9T	---
2	Spring Piece	1	Bronze	Ag-Plating
3	Contact Foot	1	Brass	Ag-Plating
4	PIN	1	Zinc Alloy	Ni-Plating
5	Coat	1	Iron	Ni-Plating
6	Spring Piece	1	SUS301	---

GENERAL TOLERANCE	PROJECTION	Symbol	Description:
.X ±0.50	UNITS	mm	20V 5.5A DC Jack Mid Mount 1.65mm
.X ±0.25	SCALE	1:1	
.XX ±0.10	Draw by:	Jenny	KLS P/N: L-KLS1-MDC-030
ANGLE TOLERANCE	Check by:		
.X ±5°	Date	2019-03-01	 NingBo KLS ELECTRONIC CO.,L TD.
.X ±3°	SHEET	1 OF 1	
.XX ±2°			