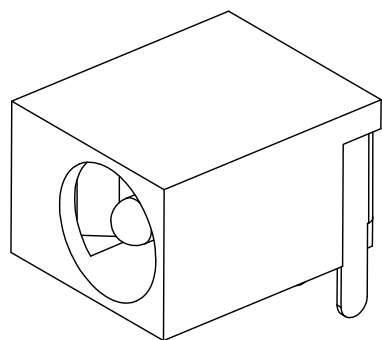
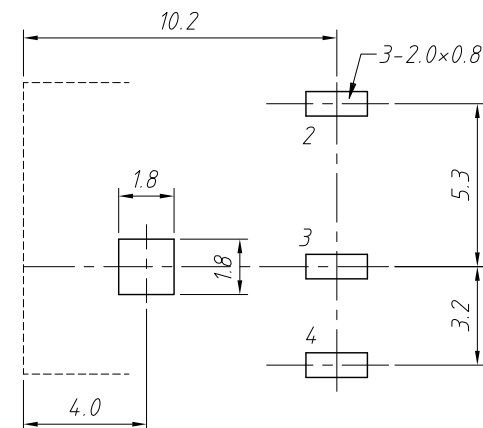
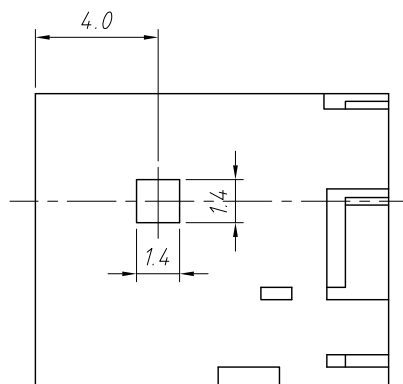
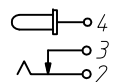


PCB Layout Top View



SCHEMATIC



**SPECIFICATION**

Rated Load:DC 30V 3A

Contact resistance:30mΩ, max

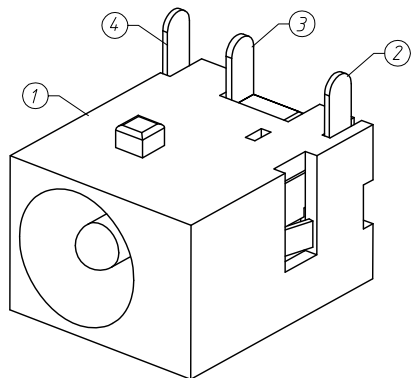
Insulation resistance:100MΩ, min

Withstand Voltage:AC500V

Actuating Force:3-20N


Life:5000 cycles

Operating Temperature:-30°C-70°C



PIN	φ2.0	φ2.5
APPD		

NO.	Description	QTY	Material	Plating
1	Housing	1	PBT	---
2	Spring Piece	1	SUS301	Ag-Plating
3	Curve Piece	1	Brass	Ag-Plating
4	Contact Foot	1	Brass	Ag-Plating
5	PIN	1	Brass	Ni-Plating

GENERAL TOLERANCE	PROJECTION	Symbol	Description:
X. ±0.50	UNITS	mm	30V 3A DC Jack DIP
.X ±0.25	SCALE	1:1	
.XX ±0.10	Draw by:	Jenny	
ANGLE TOLERANCE	Check by:		KLS P/N: L-KLS1-MDC-018D
X. ±5°	Date	2019-03-01	 NingBo KLS ELECTRONIC CO.,L TD.
.X ±3°	SHEET	1 OF 1	
.XX ±2°			