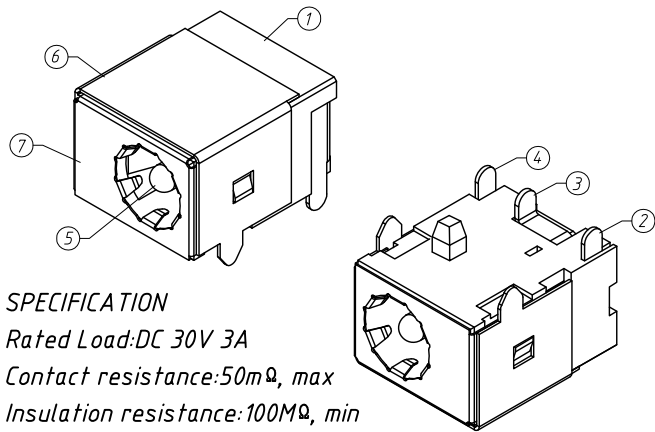
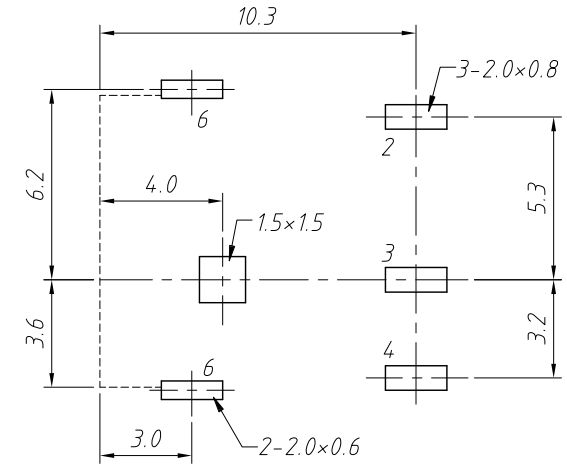
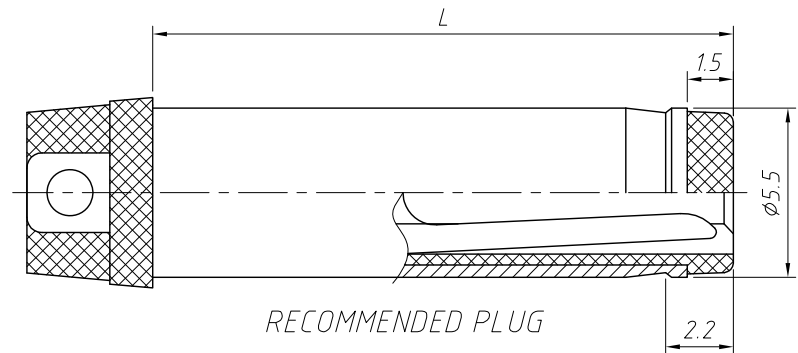
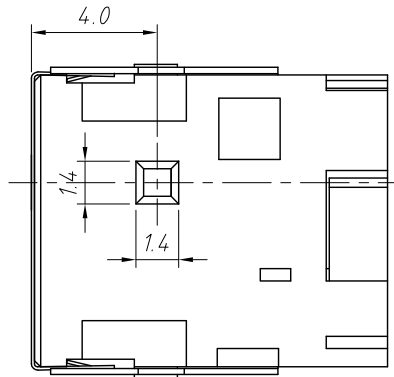


PCB Layout Top View



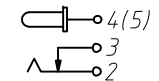
SPECIFICATION

Rated Load:DC 30V 3A
 Contact resistance:50mΩ, max
 Insulation resistance:100MΩ, min
 Withstand Voltage:AC500V
 Actuating Force:3-20N
 Life:5000 cycles
 Operating Temperature:-30°C-70°C




RECOMMENDED PLUG

SCHEMATIC



PIN	Ø2.0	Ø2.5
APPD		

NO.	Description	QTY	Material	Plating
1	Housing	1	LCP	---
2	Spring Piece	1	Bronze	Ag-Plating
3	Curve Piece	1	Brass	Ag-Plating
4	Contact Foot	1	Brass	Ag-Plating
5	PIN	1	Brass	Ni-Plating
6	Contact Foot	1	Bronze	Ag-Plating
7	Cover	1	SUS301	Ni-Plating

GENERAL TOLERANCE	PROJECTION	Symbol	Description:
.X ±0.50	UNITS	mm	30V 3A DC Jack DIP
.X ±0.25	SCALE	1:1	
.XX ±0.10	Draw by:	Jenny	
ANGLE TOLERANCE	Check by:		KLS P/N: L-KLS1-MDC-018A
.X ±5°	Date	2019-03-01	 NingBo KLS ELECTRONIC CO.,L TD.
.X ±3°	SHEET	1 OF 1	
.XX ±2°			