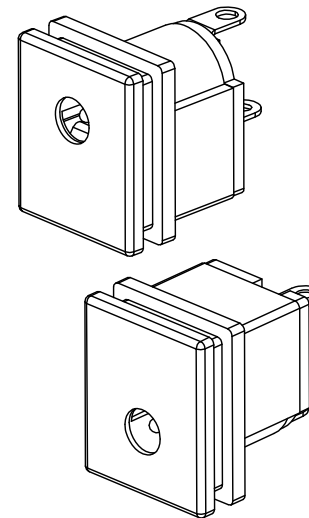
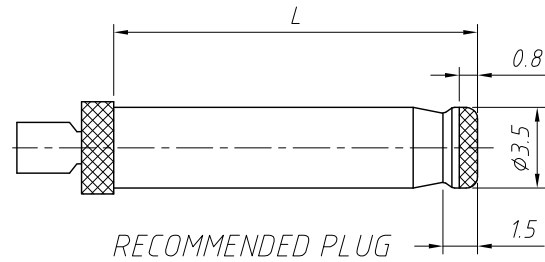
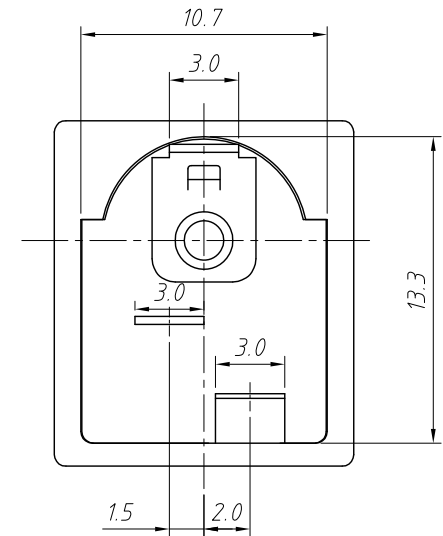
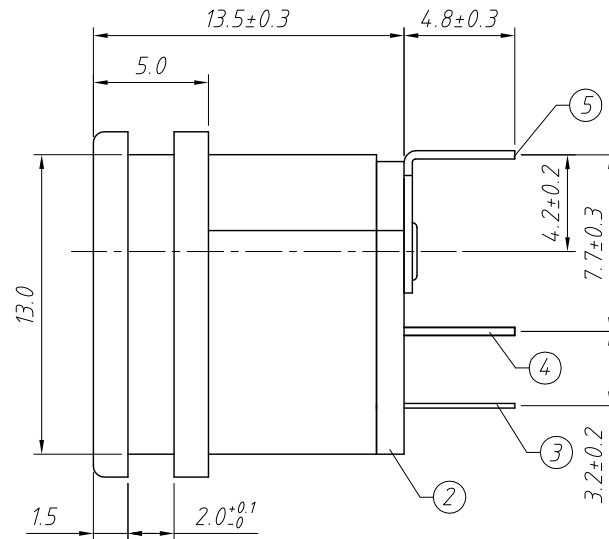
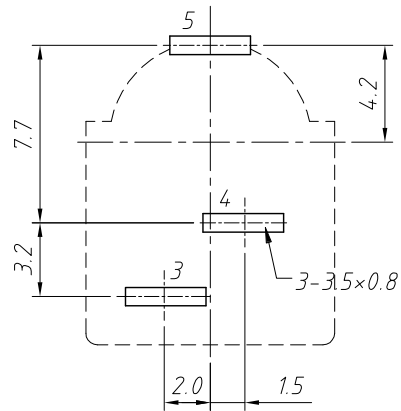
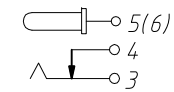


PCB Layout Top View



SCHEMATIC



SPECIFICATION

Rated Load:DC 30V 2A
 Contact resistance:30mΩ, max
 Insulation resistance:100MΩ, min
 Withstand Voltage:AC500V
 Actuating Force:3-20N
 Life:5000 cycles
 Operating Temperature:-30°C-70°C

NO.	Description	QTY	Material	Plating
1	Housing	1	PBT	---
2	Cover	1	PF	---
3	Spring	1	SUS301	Sn-Plating
4	Flat Piece	1	Brass	Sn-Plating
5	Contact Foot	1	Brass	Sn-Plating
6	PIN	1	Brass	Ni-Plating

GENERAL TOLERANCE	PROJECTION		Description:
X. ±0.50	UNITS	mm	30V 2A DC Jack DIP
.X ±0.25	SCALE	1:1	
.XX ±0.10	Draw by:	Jenny	KLS P/N: L-KLS1-MDC-015
ANGLE TOLERANCE	Check by:		
X. ±5°	Date	2019-03-01	NingBo KLS ELECTRONIC CO.,L TD.
.X ±3°	SHEET	1 OF 1	
.XX ±2°			