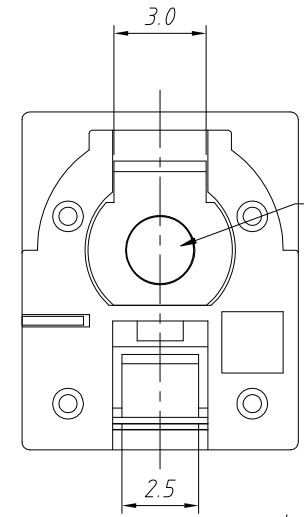
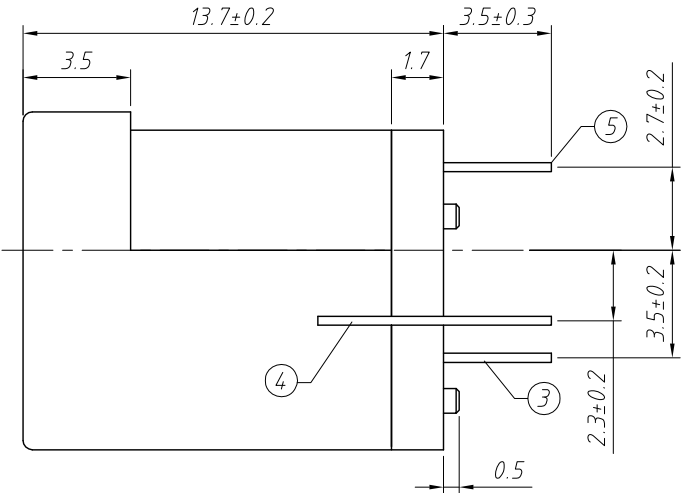
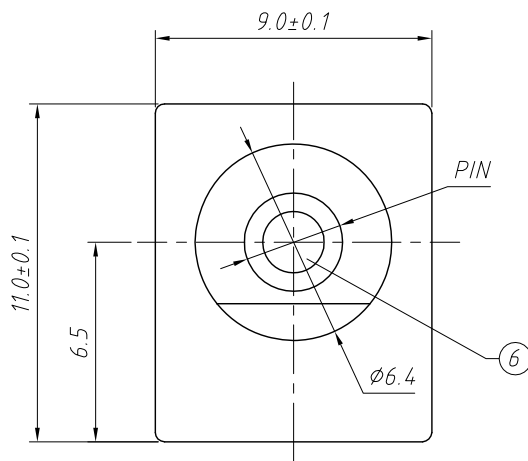


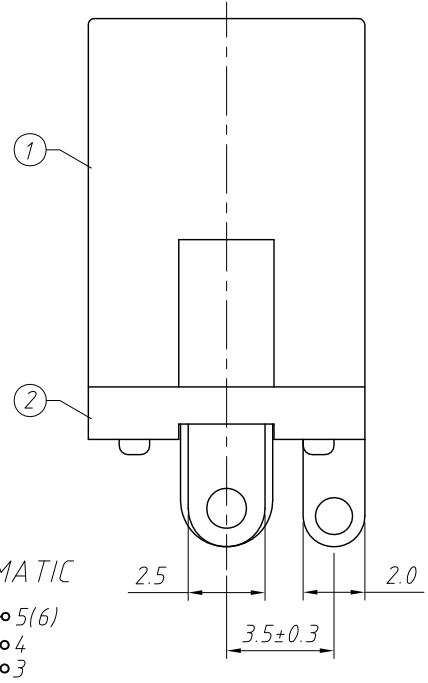
1 2 3 4 5 6 7 8

A B C D E F G H

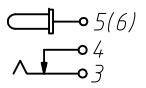


PIN	Ø2.0	Ø2.5
APPD		

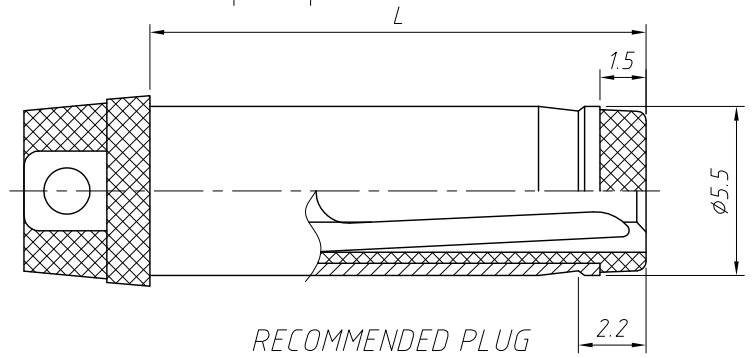
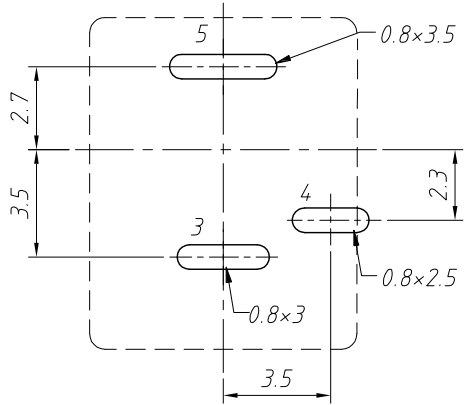
Here is riveting
The current that can pass is large



SCHEMATIC




PCB Layout Top View



SPECIFICATION
 Rated Load:DC 30V 5A
 Contact resistance:30mΩ, max
 Insulation resistance:100MΩ, min
 Withstand Voltage:AC500V
 Actuating Force:3-20N
 Life:5000 cycles
 Operating Temperature:-30°C-70°C

NO.	Description	QTY	Material	Plating
1	Housing	1	PBT	---
2	Cover	1	PBT	---
3	Spring	1	Bronze	Ag-Plating
4	Flat Piece	1	Brass	Ag-Plating
5	Curve Piece	1	Brass	Ag-Plating
6	PIN	1	Brass	Ni-Plating

GENERAL TOLERANCE	PROJECTION	Symbol	Description:
X. ±0.50	UNITS	mm	30V 5A DC Jack Solder
.X ±0.25	SCALE	1:1	
.XX ±0.10	Draw by:	Jenny	
ANGLE TOLERANCE	Check by:		KLS P/N: L-KLS1-MDC-007
X. ±5°	Date	2019-03-01	 NingBo KLS ELECTRONIC CO.,L TD.
.X ±3°	SHEET	1 OF 1	
.XX ±2°			

1 2 3 4 5 6 7 8

H