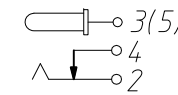
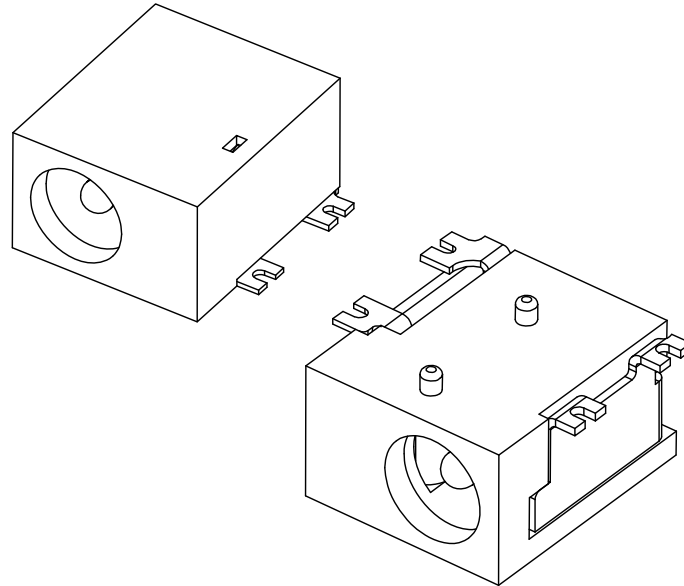
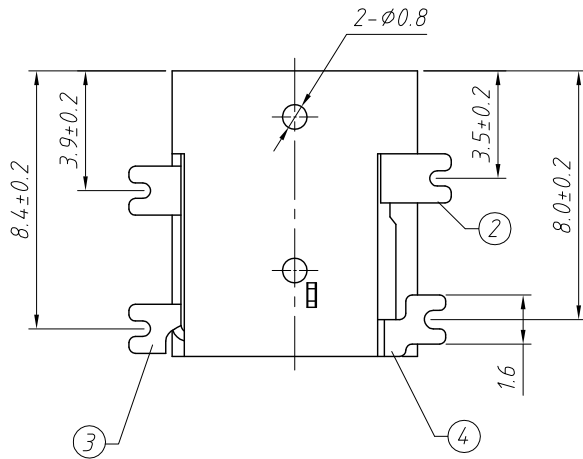
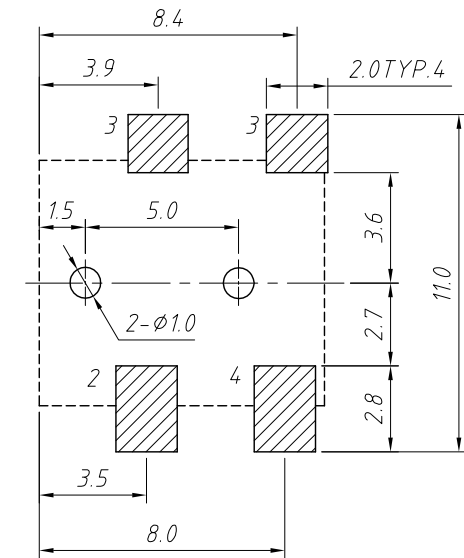


PIN	∅1.0	∅1.3
APPD		

SCHEMATIC



PCB LAYOUT TOP VIEW



SPECIFICATION

Rated Load: DC 30V 2A
 Contact resistance: 30mΩ, max
 Insulation resistance: 100MΩ, min
 Withstand Voltage: AC500V
 Actuating Force: 3-20N
 Life: 5000 cycles
 Operating Temperature: -30°C-70°C

NO.	Description	QTY	Material	Plating
1	Housing	1	PPA	---
2	Spring	1	Bronze	Ag-Plating
3	Curve Piece	1	Brass	Ag-Plating
4	Curve Piece	1	Brass	Ag-Plating
5	PIN	1	Brass	Ni-Plating

GENERAL TOLERANCE	PROJECTION		Description:
X. ±0.50	UNITS	mm	30V 2A DC Jack DIP
.X ±0.25	SCALE	1:1	
.XX ±0.10	Draw by:	Jenny	
ANGLE TOLERANCE	Check by:		KLS P/N: L-KLS1-MDC-003
X. ±5°	Date	2019-03-01	NingBo KLS ELECTRONIC CO.,L TD.
.X ±3°	SHEET	1 OF 1	
.XX ±2°			