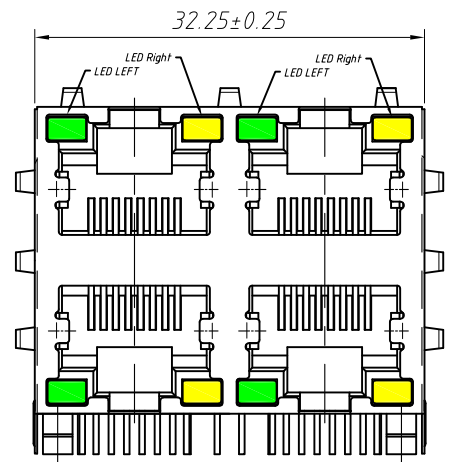
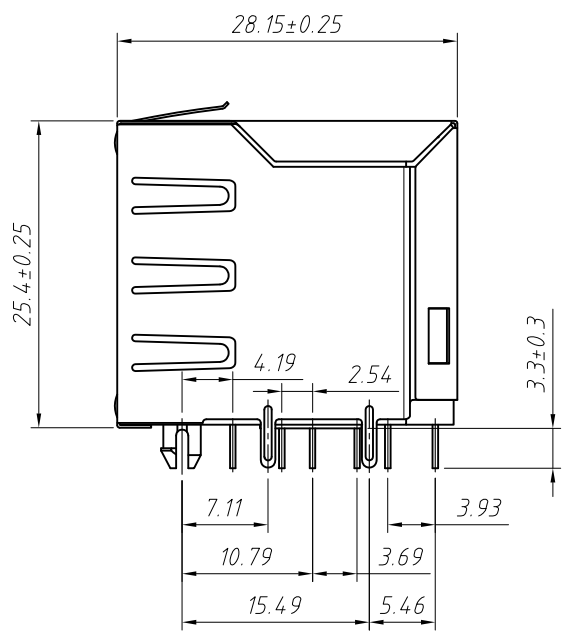
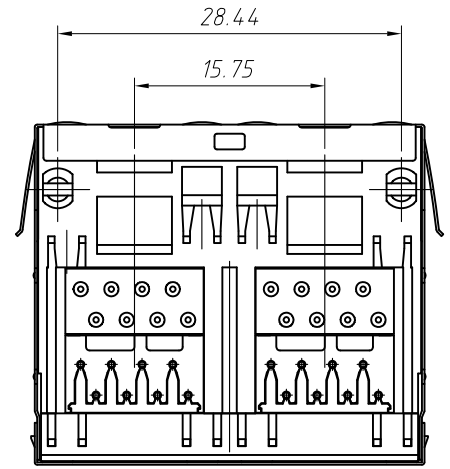


PCB Layout

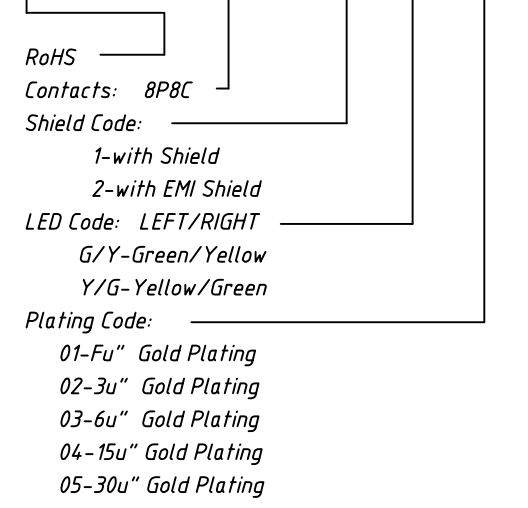


Material:
Housing: PBT+Glass Filled Polyester
Flammability Rating : UL94V-0
Contacts: Phosphor Bronze $\phi 0.46\text{mm}$
Plating: Gold Plating
Shield: Brass, Tin Plating

Electrical:
Voltage Rating: 125VAC
Current Rating: 1.5A
Contact Resistance: $30\text{m}\Omega$ Max.
Insulation Resistance: $500\text{M}\Omega$ Min.
Dielectric Strength: 1000VAC Rms
50Hz, 1 Min.
Durability: 600 cycles Min.
Operation Temperature: $-40^{\circ}\text{C} \sim +70^{\circ}\text{C}$

Order Information

L-KLS12-313C-8P8C- 2x2 -X- G/Y- XX



| GENERAL TOLERANCE | PROJECTION | | Description: |
|---------------------|------------|------------|--|
| X. ± 0.30 | UNITS | mm | Modular jacks, RJ45-8P8C 2x2 Jack Shield with LED |
| .X ± 0.25 | SCALE | 1:1 | |
| .XX ± 0.20 | Draw by: | Jenny | KLS P/N: L-KLS12-313C-8P8C-2x2-x-X/X-xx |
| ANGLE TOLERANCE | Check by: | Daniel | |
| X. $\pm 3^{\circ}$ | Date | 2018-03-01 | NingBo KLS ELECTRONIC CO.,LTD. |
| .X $\pm 2^{\circ}$ | SHEET | 1 OF 1 | |
| .XX $\pm 1^{\circ}$ | | | |