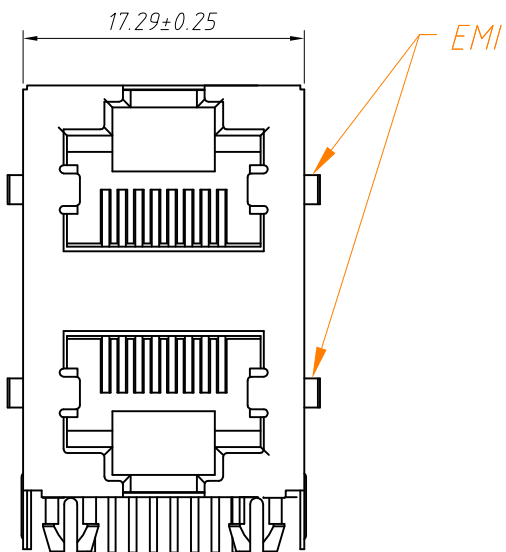
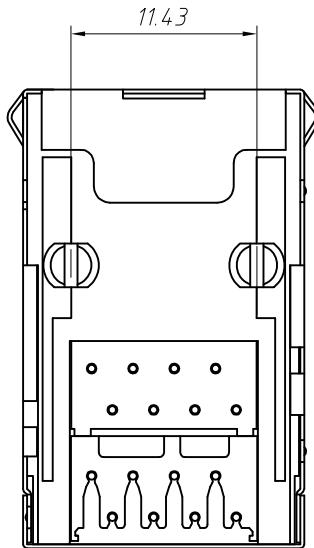
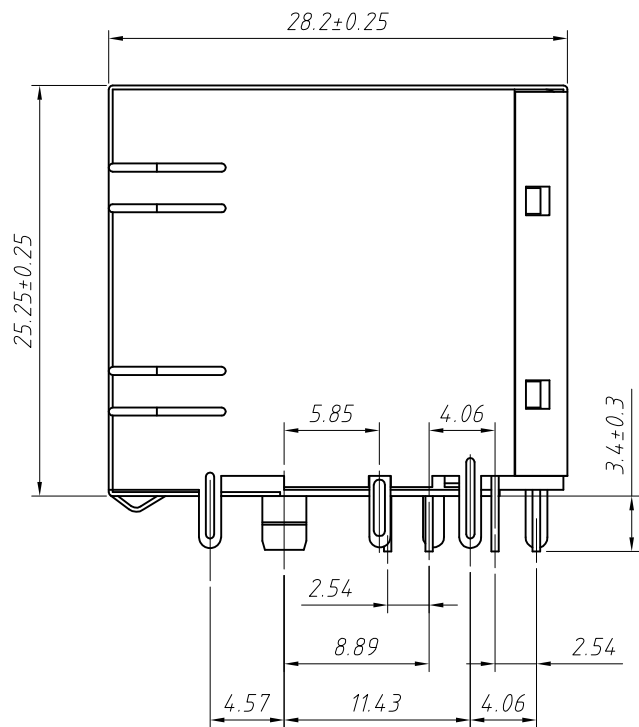


PCB Layout



Material:
Housing: PBT+Glass Filled Polyester
Flammability Rating : UL94V-0
Contacts: Phosphor Bronze $\phi 0.46\text{mm}$
Plating: Gold Plating
Shield: Brass, Tin Plating
Electrical:
Voltage Rating: 125VAC
Current Rating: 1.5A
Contact Resistance: 30m Ω Max.
Insulation Resistance: 500M Ω Min.
Dielectric Strength: 1000VAC Rms
50Hz, 1 Min.
Durability: 600 cycles Min.
Operation Temperature: -40°C ~ +70°C

Order Information

L-KLS12-101-8P8C -W-XX

RoHS

Contacts: 8P8C

Shield Code:

W - With EMI

W/O - Without EMI

Plating Code:

01-Fu" Gold Plating

02-3u" Gold Plating

03-6u" Gold Plating

04-15u" Gold Plating

05-30u" Gold Plating

GENERAL TOLERANCE	PROJECTION		Description:
X: ± 0.30	UNITS	mm	Modular jacks, RJ45-8P8C Jack, 2x1 with Shield
.X: ± 0.25	SCALE	1:1	
.XX: ± 0.20	Draw by:	Jenny	KLS P/N: L-KLS12-101-8P8C-W-xx
ANGLE TOLERANCE	Check by:	Daniel	NingBo KLS ELECTRONIC CO.,LTD.
X: $\pm 3^\circ$	Date	2018-03-01	
.X: $\pm 2^\circ$	SHEET	1 OF 1	
.XX: $\pm 1^\circ$			