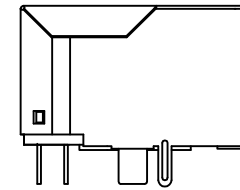
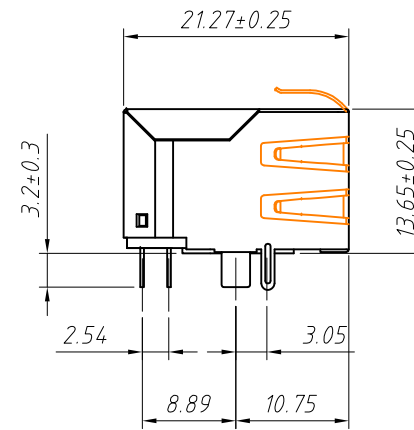


PCB Layout



With Shield



With EMI Shield

Material:
Housing: PBT+Glass Filled Polyester
Flammability Rating: UL 94 V-0
Contacts: Phosphor Bronze $\phi 0.46$ mm
Plating: Gold Plating
Shield: Brass, Tin Plating
Electrical:
Voltage Rating: 125VAC
Current Rating: 1.5A
Contact Resistance: $30m\Omega$ Max.
Insulation Resistance: $500M\Omega$ Min.
Dielectric Strength: 1000VAC Rms
50Hz, 1 Min.
Durability: 600 cycles Min.
Operation Temperature: $-40^{\circ}C \sim +70^{\circ}C$

Order Information

L-KLS12-107-8P8C-1x6-X-1-XX

RoHS

Contacts: 8P8C

Shield Code:

W-With Shield

E- With EMI Shield

Shield Peg Code:

1-Front Peg 3.05mm

2-Front Peg 3.68mm

3-Front Peg 4.57mm

4-Black Peg 3.05mm

Plating Code:

01-Fu" Gold Plating

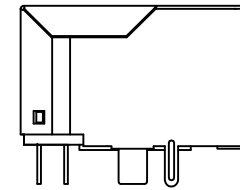
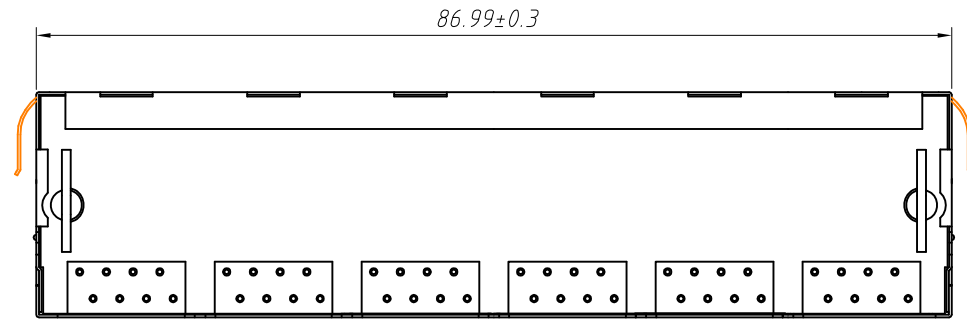
02-3u" Gold Plating

03-6u" Gold Plating

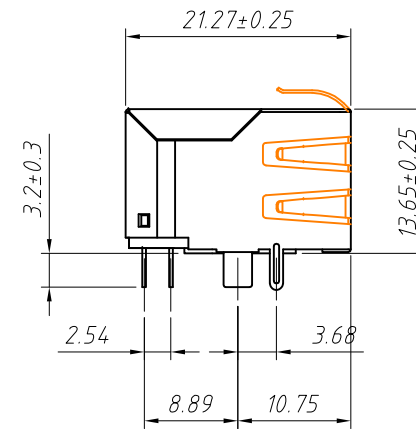
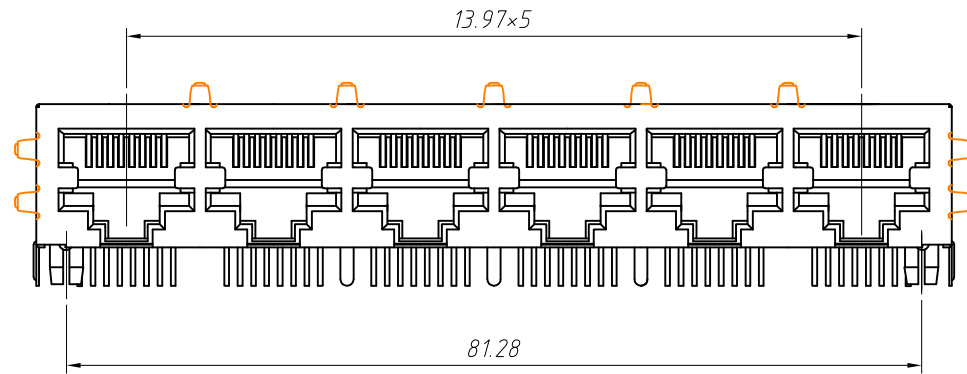
04-15u" Gold Plating

05-30u" Gold Plating

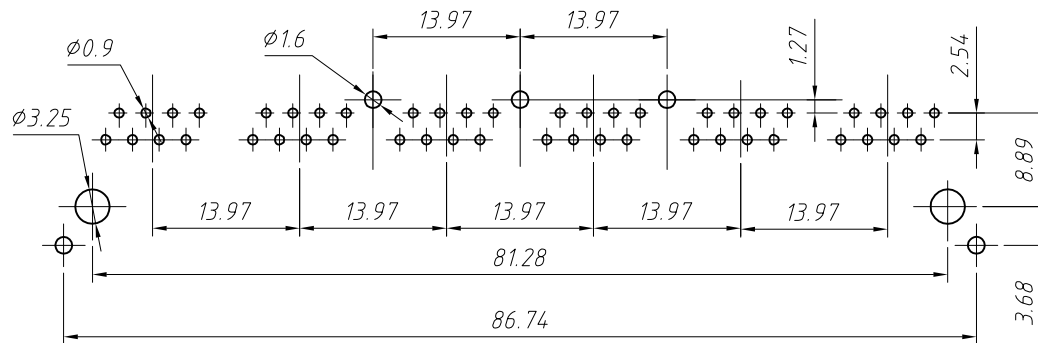
| GENERAL TOLERANCE | PROJECTION | | Description: |
|---------------------|------------|------------|---|
| X. ± 0.30 | UNITS | mm | Modular jacks, RJ45-8P8C 1x6 Jack Front 3.05mm |
| .X ± 0.25 | SCALE | 1:1 | |
| .XX ± 0.20 | Draw by: | Jenny | KLS P/N: L-KLS12-107-8P8C-1x6-x-1-xx |
| ANGLE TOLERANCE | Check by: | Daniel | |
| X. $\pm 3^{\circ}$ | Date | 2018-03-01 | NingBo KLS ELECTRONIC CO.,LTD. |
| .X $\pm 2^{\circ}$ | SHEET | 1 OF 1 | |
| .XX $\pm 1^{\circ}$ | | | |



With Shield



With EMI Shield



PCB Layout

Material:
Housing: PBT+Glass Filled Polyester
Flammability Rating : UL 94 V-0
Contacts: Phosphor Bronze $\phi 0.46\text{mm}$
Plating: Gold Plating
Shield: Brass, Tin Plating
Electrical:
Voltage Rating: 125VAC
Current Rating: 1.5A
Contact Resistance: 30m Ω Max.
Insulation Resistance: 500M Ω Min.
Dielectric Strength: 1000VAC Rms
50Hz, 1 Min.
Durability: 600 cycles Min.
Operation Temperature: -40°C ~ +70°C

Order Information

L-KLS12-107-8P8C-1x6-X-2-XX

RoHS

Contacts: 8P8C

Shield Code:

W-With Shield

E- With EMI Shield

Shield Peg Code:

1-Front Peg 3.05mm

2-Front Peg 3.68mm

3-Front Peg 4.57mm

4-Black Peg 3.05mm

Plating Code:

01-Fu" Gold Plating

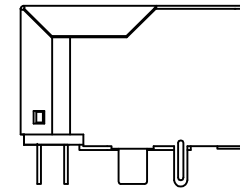
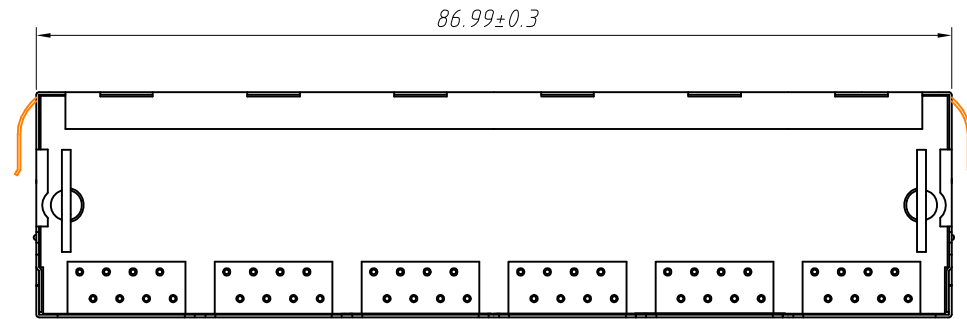
02-3u" Gold Plating

03-6u" Gold Plating

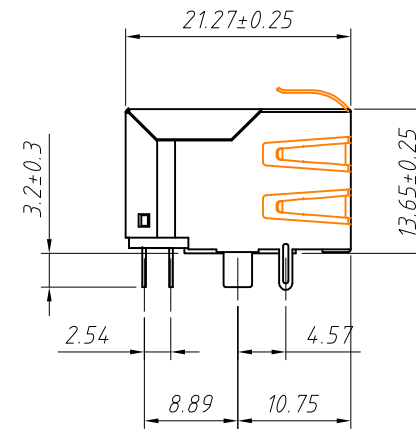
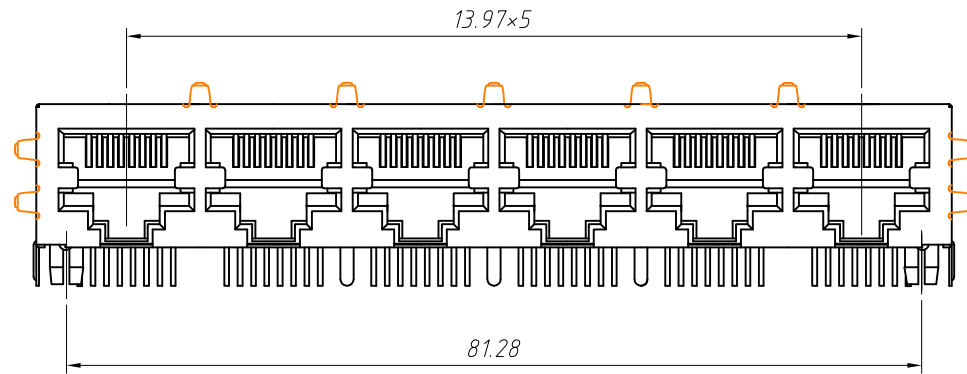
04-15u" Gold Plating

05-30u" Gold Plating

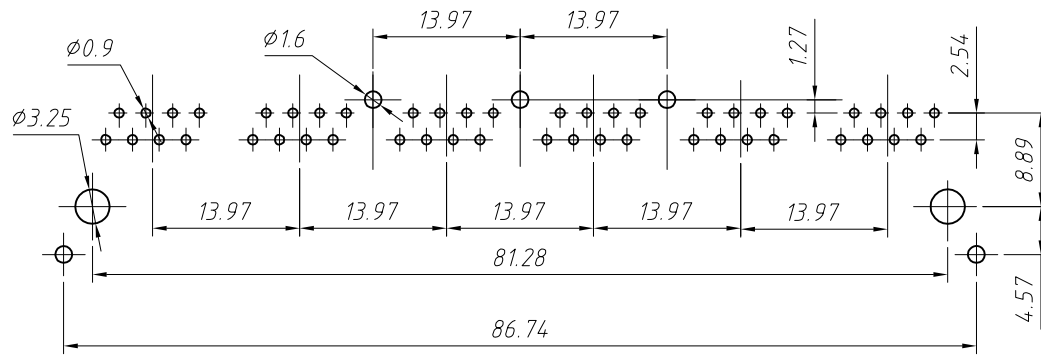
| GENERAL TOLERANCE | PROJECTION | | Description: |
|-------------------|------------|------------|---|
| X. ± 0.30 | UNITS | mm | Modular jacks, RJ45-8P8C 1x6 Jack Front 3.68mm |
| .X ± 0.25 | SCALE | 1:1 | |
| .XX ± 0.20 | Draw by: | Jenny | KLS P/N: L-KLS12-107-8P8C-1x6-x-2-xx |
| ANGLE TOLERANCE | Check by: | Daniel | |
| X. $\pm 3^\circ$ | Date | 2018-03-01 | NingBo KLS ELECTRONIC CO.,LTD. |
| .X $\pm 2^\circ$ | SHEET | 1 OF 1 | |
| .XX $\pm 1^\circ$ | | | |



With Shield



With EMI Shield



PCB Layout

Material:
Housing: PBT+Glass Filled Polyester
Flammability Rating : UL 94 V-0
Contacts: Phosphor Bronze $\phi 0.46$ mm
Plating: Gold Plating
Shield: Brass, Tin Plating
Electrical:
Voltage Rating: 125VAC
Current Rating: 1.5A
Contact Resistance: $30m\Omega$ Max.
Insulation Resistance: $500M\Omega$ Min.
Dielectric Strength: 1000VAC Rms
50Hz, 1 Min.
Durability: 600 cycles Min.
Operation Temperature: $-40^{\circ}C \sim +70^{\circ}C$

Order Information

L-KLS12-107-8P8C-1x6-X-3-XX

RoHS

Contacts: 8P8C

Shield Code:

W-With Shield

E- With EMI Shield

Shield Peg Code:

1-Front Peg 3.05mm

2-Front Peg 3.68mm

3-Front Peg 4.57mm

4-Black Peg 3.05mm

Plating Code:

01-Fu" Gold Plating

02-3u" Gold Plating

03-6u" Gold Plating

04-15u" Gold Plating

05-30u" Gold Plating

| GENERAL TOLERANCE | PROJECTION | | Description: |
|---------------------|------------|------------|---|
| X. ± 0.30 | UNITS | mm | Modular jacks, RJ45-8P8C 1x6 Jack Front 4.57mm |
| .X ± 0.25 | SCALE | 1:1 | |
| .XX ± 0.20 | Draw by: | Jenny | KLS P/N: L-KLS12-107-8P8C-1x6-x-3-xx |
| ANGLE TOLERANCE | Check by: | Daniel | |
| X. $\pm 3^{\circ}$ | Date | 2018-03-01 | NingBo KLS ELECTRONIC CO.,LTD. |
| .X $\pm 2^{\circ}$ | SHEET | 1 OF 1 | |
| .XX $\pm 1^{\circ}$ | | | |

