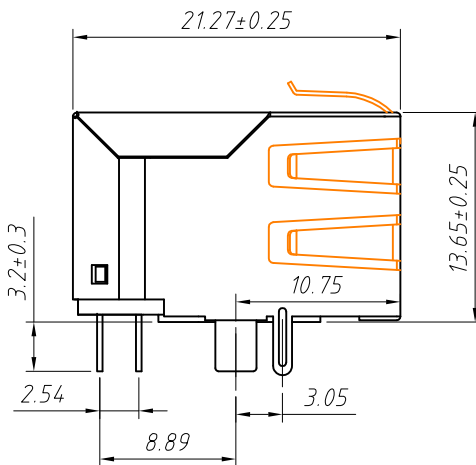
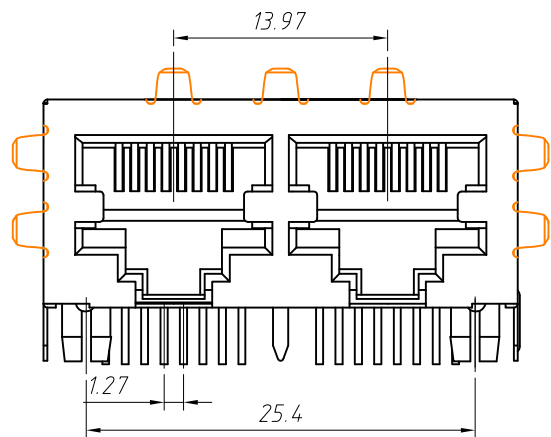
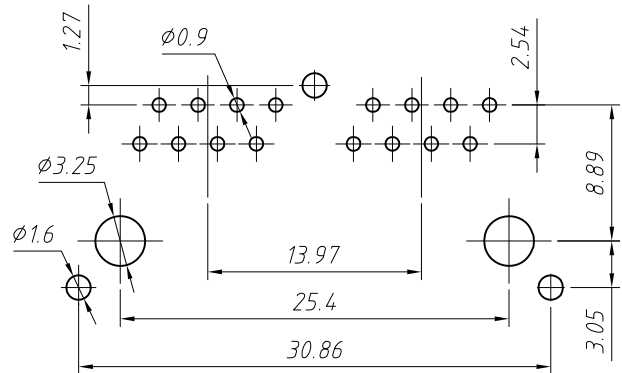


With Shield



With EMI Shield



PCB Layout

Material:  
Housing: PBT+Glass Filled Polyester  
Flammability Rating : UL 94 V-0  
Contacts: Phosphor Bronze  $\phi 0.46\text{mm}$   
Plating: Gold Plating  
Shield: Brass, Tin Plating  
Electrical:  
Voltage Rating: 125VAC  
Current Rating: 1.5A  
Contact Resistance:  $30\text{m}\Omega$  Max.  
Insulation Resistance:  $500\text{M}\Omega$  Min.  
Dielectric Strength: 1000VAC Rms  
50Hz, 1 Min.  
Durability: 600 cycles Min.  
Operation Temperature:  $-40^{\circ}\text{C} \sim +70^{\circ}\text{C}$

Order Information

L-KLS12-107-8P8C-1x2-X-1-XX

RoHS

Contacts: 8P8C

Shield Code:

W-With Shield

E- With EMI Shield

Shield Peg Code:

1-Front Peg 3.05mm

2-Front Peg 3.68mm

3-Front Peg 4.57mm

4-Black Peg 3.05mm

Plating Code:

01-Fu" Gold Plating

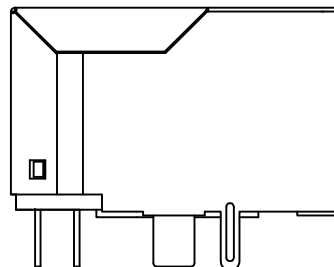
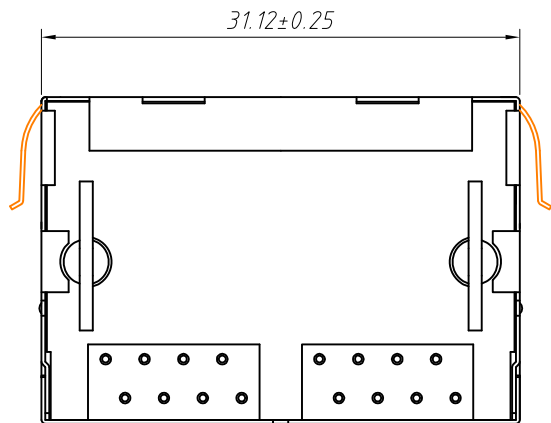
02-3u" Gold Plating

03-6u" Gold Plating

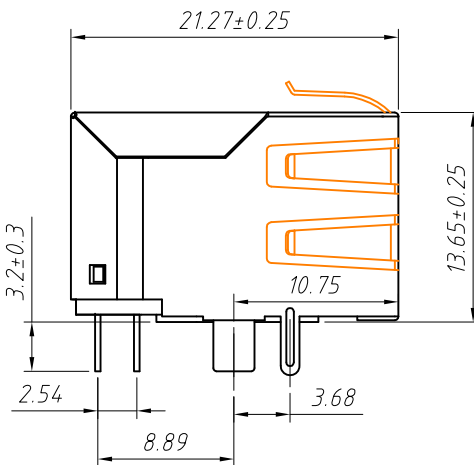
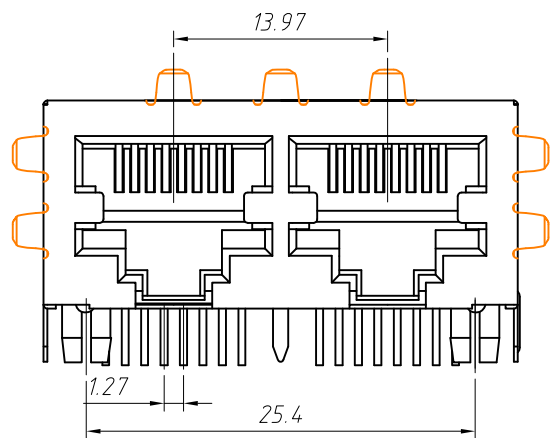
04-15u" Gold Plating

05-30u" Gold Plating

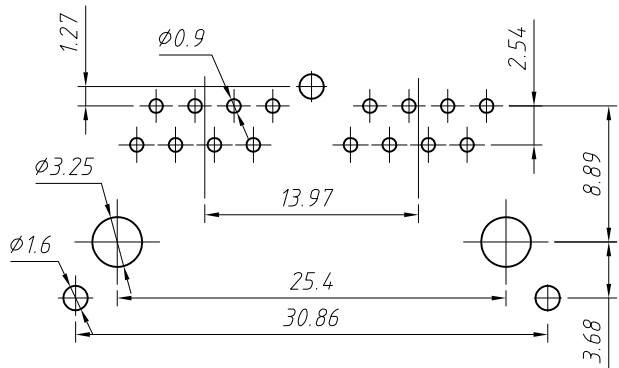
GENERAL TOLERANCE	PROJECTION		Description:
X. $\pm 0.30$	UNITS	mm	Modular jacks, RJ45-8P8C 1x2 Jack Front 3.05mm
.X $\pm 0.25$	SCALE	1:1	
.XX $\pm 0.20$	Draw by:	Jenny	KLS P/N: L-KLS12-107-8P8C-1x2-x-1-xx
ANGLE TOLERANCE	Check by:	Daniel	
X. $\pm 3^{\circ}$	Date	2018-03-01	NingBo KLS ELECTRONIC CO.,LTD.
.X $\pm 2^{\circ}$	SHEET	1 OF 1	
.XX $\pm 1^{\circ}$			



With Shield



With EMI Shield



PCB Layout

**Material:**  
**Housing:** PBT+Glass Filled Polyester  
**Flammability Rating:** UL 94 V-0  
**Contacts:** Phosphor Bronze  $\phi 0.46\text{mm}$   
**Plating:** Gold Plating  
**Shield:** Brass, Tin Plating  
**Electrical:**  
**Voltage Rating:** 125VAC  
**Current Rating:** 1.5A  
**Contact Resistance:** 30m $\Omega$  Max.  
**Insulation Resistance:** 500M $\Omega$  Min.  
**Dielectric Strength:** 1000VAC Rms  
 50Hz, 1 Min.  
**Durability:** 600 cycles Min.  
**Operation Temperature:** -40°C ~ +70°C

**Order Information**

L-KLS12-107-8P8C-1x2-X-2-XX

RoHS

Contacts: 8P8C

Shield Code:

W-With Shield

E- With EMI Shield

Shield Peg Code:

1-Front Peg 3.05mm

2-Front Peg 3.68mm

3-Front Peg 4.57mm

4-Black Peg 3.05mm

Plating Code:

01-Fu" Gold Plating

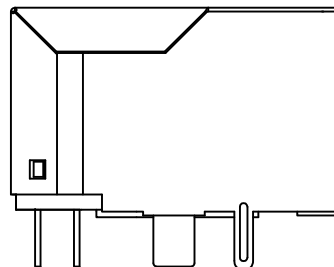
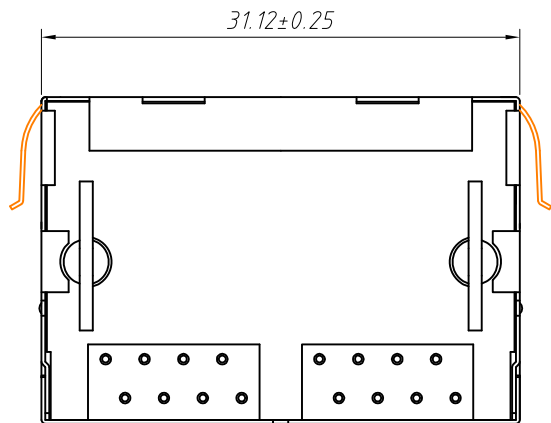
02-3u" Gold Plating

03-6u" Gold Plating

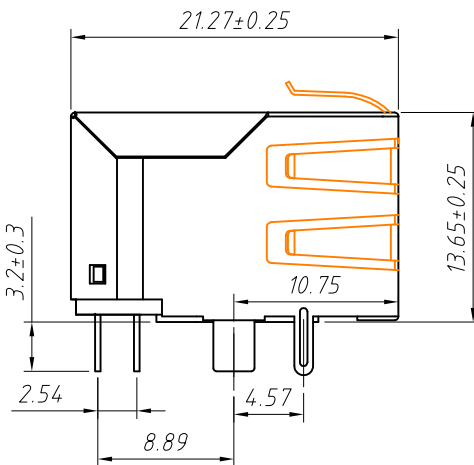
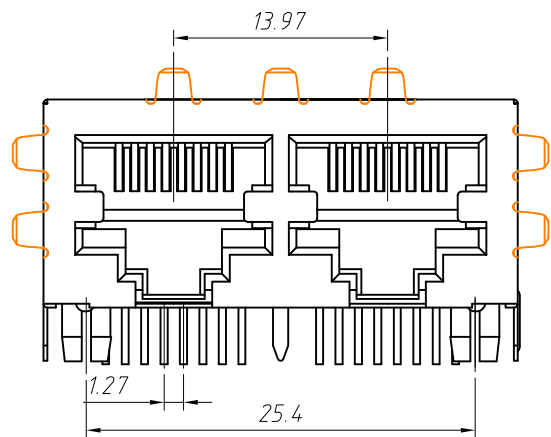
04-15u" Gold Plating

05-30u" Gold Plating

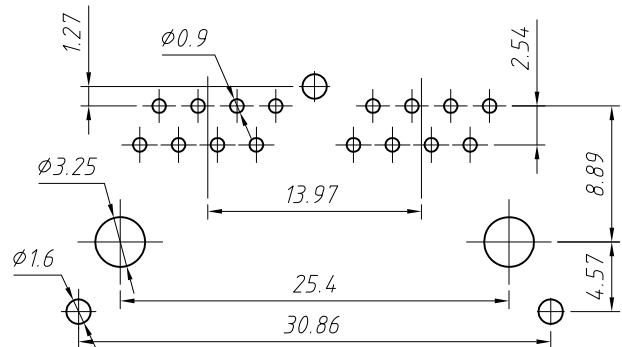
GENERAL TOLERANCE	PROJECTION		Description:
X. $\pm 0.30$	UNITS	mm	Modular jacks, RJ45-8P8C 1x2 Jack Front 3.68mm
.X $\pm 0.25$	SCALE	1:1	
.XX $\pm 0.20$	Draw by:	Jenny	KLS P/N: L-KLS12-107-8P8C-1x2-x-2-xx
ANGLE TOLERANCE	Check by:	Daniel	NingBo KLS ELECTRONIC CO.,LTD.
X. $\pm 3^\circ$	Date	2018-03-01	
.X $\pm 2^\circ$	SHEET	1 OF 1	
.XX $\pm 1^\circ$			



With Shield



With EMI Shield



PCB Layout

**Material:**  
 Housing: PBT+Glass Filled Polyester  
 Flammability Rating : UL 94 V-0  
 Contacts: Phosphor Bronze  $\phi 0.46\text{mm}$   
 Plating: Gold Plating  
 Shield: Brass, Tin Plating  
**Electrical:**  
 Voltage Rating: 125VAC  
 Current Rating: 1.5A  
 Contact Resistance:  $30\text{m}\Omega$  Max.  
 Insulation Resistance:  $500\text{M}\Omega$  Min.  
 Dielectric Strength: 1000VAC Rms  
 50Hz, 1 Min.  
 Durability: 600 cycles Min.  
 Operation Temperature:  $-40^{\circ}\text{C} \sim +70^{\circ}\text{C}$

**Order Information**

L-KLS12-107-8P8C-1x2-X-3-XX

RoHS

Contacts: 8P8C

Shield Code:

W-With Shield

E- With EMI Shield

Shield Peg Code:

1-Front Peg 3.05mm

2-Front Peg 3.68mm

3-Front Peg 4.57mm

4-Black Peg 3.05mm

Plating Code:

01-Fu" Gold Plating

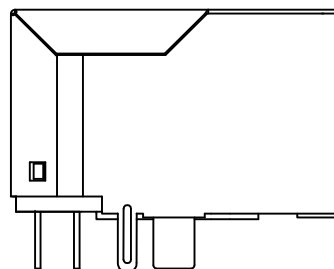
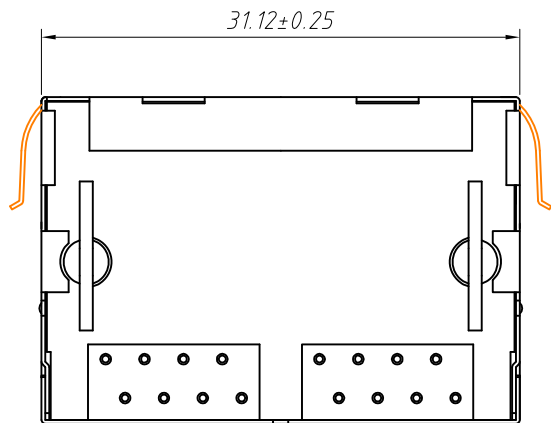
02-3u" Gold Plating

03-6u" Gold Plating

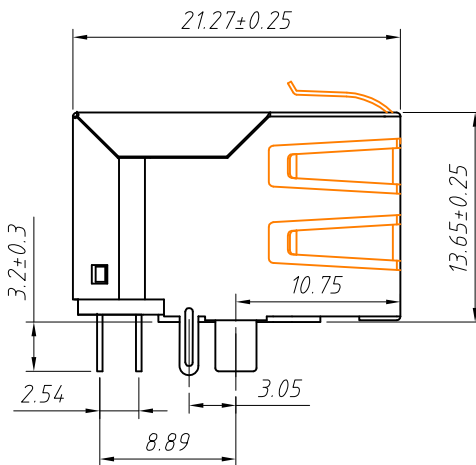
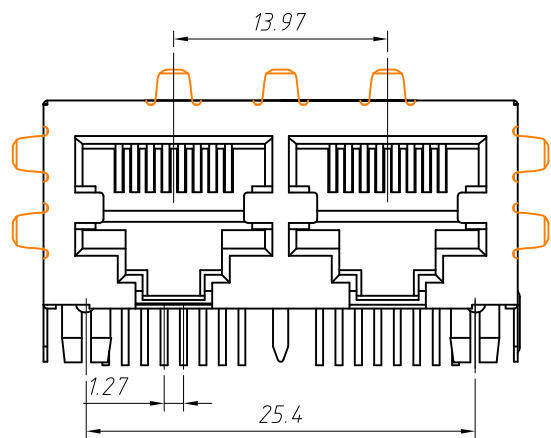
04-15u" Gold Plating

05-30u" Gold Plating

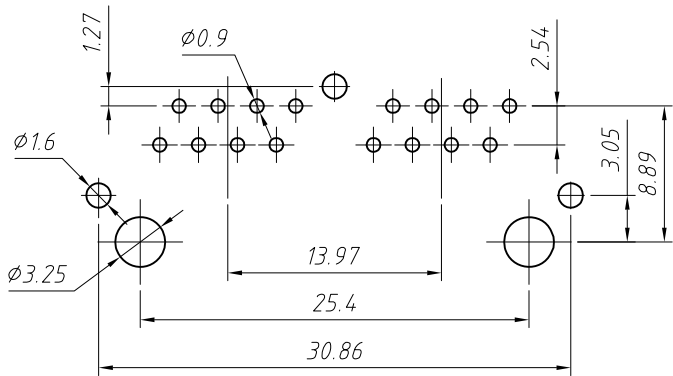
GENERAL TOLERANCE	PROJECTION		Description:
X. $\pm 0.30$	UNITS	mm	Modular jacks, RJ45-8P8C 1x2 Jack Front 4.57mm
.X $\pm 0.25$	SCALE	1:1	
.XX $\pm 0.20$	Draw by:	Jenny	KLS P/N: L-KLS12-107-8P8C-1x2-x-3-xx
ANGLE TOLERANCE	Check by:	Daniel	
X. $\pm 3^{\circ}$	Date	2018-03-01	NingBo KLS ELECTRONIC CO.,LTD.
.X $\pm 2^{\circ}$	SHEET	1 OF 1	
.XX $\pm 1^{\circ}$			



With Shield



With EMI Shield



PCB Layout

Material:  
 Housing: PBT+Glass Filled Polyester  
 Flammability Rating : UL 94 V-0  
 Contacts: Phosphor Bronze  $\phi 0.46\text{mm}$   
 Plating: Gold Plating  
 Shield: Brass, Tin Plating  
 Electrical:  
 Voltage Rating: 125VAC  
 Current Rating: 1.5A  
 Contact Resistance:  $30\text{m}\Omega$  Max.  
 Insulation Resistance:  $500\text{M}\Omega$  Min.  
 Dielectric Strength: 1000VAC Rms  
 50Hz, 1 Min.  
 Durability: 600 cycles Min.  
 Operation Temperature:  $-40^{\circ}\text{C} \sim +70^{\circ}\text{C}$

Order Information

L-KLS12-107-8P8C-1x2-X-4-XX

RoHS

Contacts: 8P8C

Shield Code:

W-With Shield

E- With EMI Shield

Shield Peg Code:

1-Front Peg 3.05mm

2-Front Peg 3.68mm

3-Front Peg 4.57mm

4-Black Peg 3.05mm

Plating Code:

01-Fu" Gold Plating

02-3u" Gold Plating

03-6u" Gold Plating

04-15u" Gold Plating

05-30u" Gold Plating

GENERAL TOLERANCE	PROJECTION		Description:
X. $\pm 0.30$	UNITS	mm	Modular jacks, RJ45-8P8C 1x2 Jack Back 3.05mm
.X $\pm 0.25$	SCALE	1:1	
.XX $\pm 0.20$	Draw by:	Jenny	KLS P/N: L-KLS12-107-8P8C-1x2-x-4-xx
ANGLE TOLERANCE	Check by:	Daniel	NingBo KLS ELECTRONIC CO.,LTD.
X. $\pm 3^{\circ}$	Date	2018-03-01	
.X $\pm 2^{\circ}$	SHEET	1 OF 1	
.XX $\pm 1^{\circ}$			