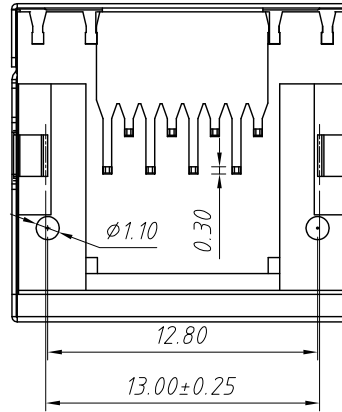


Recommended PCB Layout
Tolerance±0.05



Material:
Housing: PBT+Glass Filled Polyester
Flammability Rating : UL94V-0
Contacts: Phosphor Bronze $\phi 0.46\text{mm}$
Plating: Gold Plating
Shield: Brass, Tin Plating

Electrical:
Voltage Rating: 125VAC
Current Rating: 1.5A
Contact Resistance: $30\text{m}\Omega$ Max.
Insulation Resistance: $500\text{M}\Omega$ Min.
Dielectric Strength: 1000VAC Rms 50Hz, 1 Min.
Durability: 600 cycles Min.
Operation Temperature: $-40^{\circ}\text{C} \sim +70^{\circ}\text{C}$

Order Information

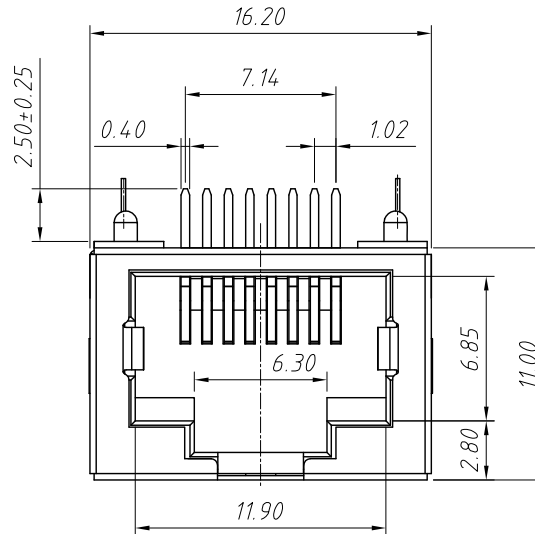
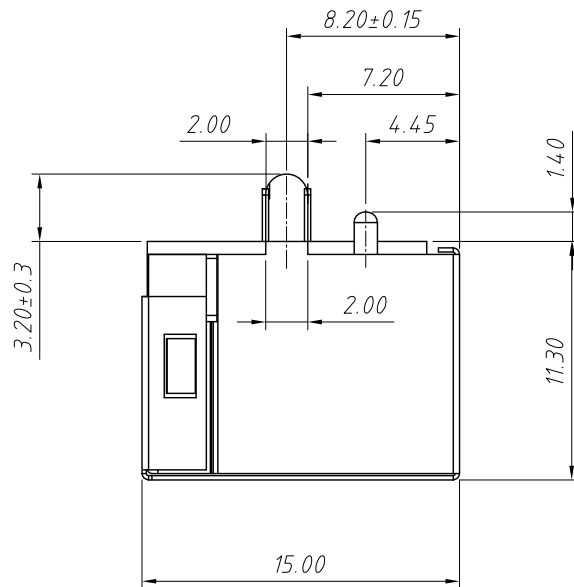
L-KLS12-341-8P8C - 1x1 - XX

RoHS

Contacts: 8P8C

Plating Code:

- 01-Fu" Gold Plating
- 02-3u" Gold Plating
- 03-6u" Gold Plating
- 04-15u" Gold Plating
- 05-30u" Gold Plating



GENERAL TOLERANCE	PROJECTION		Description:
X. ± 0.30	UNITS	mm	RJ45-8P8C 1x1
.X ± 0.25	SCALE	1:1	Low Profile Modular jacks Right Angle
.XX ± 0.20	Draw by:	Jenny	KLS P/N: L-KLS12-341-8P8C-1x1-xx
ANGLE TOLERANCE	Check by:	Daniel	NingBo KLS ELECTRONIC CO.,LTD.
X. $\pm 3^{\circ}$	Date	2018-03-01	
.X $\pm 2^{\circ}$	SHEET	1 OF 1	
.XX $\pm 1^{\circ}$			