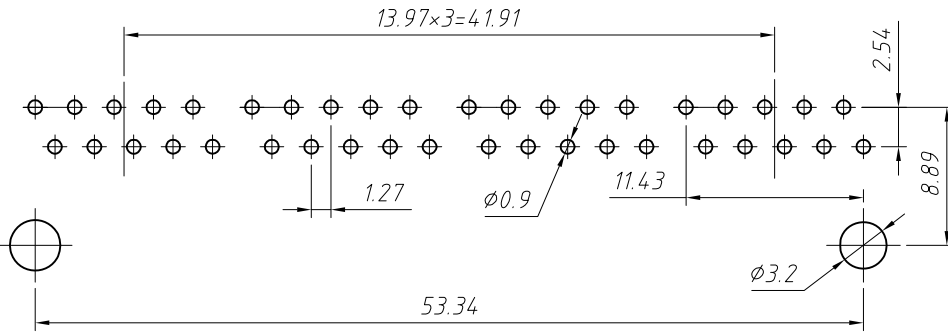


SECTION



PCB Layout

**Material:**  
**Housing:** PBT+Glass Filled Polyester  
**Flammability Rating:** UL94V-0  
**Contacts:** Phosphor Bronze  $\phi 0.46\text{mm}$   
**Plating:** Gold Plating

**Electrical:**  
**Voltage Rating:** 125VAC  
**Current Rating:** 1.5A  
**Contact Resistance:** 30m $\Omega$  Max.  
**Insulation Resistance:** 500M $\Omega$  Min.  
**Dielectric Strength:** 1000VAC Rms 50Hz, 1 Min.  
**Durability:** 600 cycles Min.  
**Operation Temperature:** -40°C ~ +70°C

**Order Information**

L-KLS12-302-10P10C - 1x4 - 1 - XX

RoHS

Contacts: 10P10C

8P8C

Color Code:

1-Black

Plating Code:

01-Fu" Gold Plating

02-3u" Gold Plating

03-6u" Gold Plating

04-15u" Gold Plating

05-30u" Gold Plating

GENERAL TOLERANCE	PROJECTION		Description:
X. $\pm 0.50$	UNITS	mm	Modular jacks, RJ50-XPXC 1x4 without Shield
.X $\pm 0.25$	SCALE	1:1	
.XX $\pm 0.10$	Draw by:	Jenny	KLS P/N: L-KLS12-302-xPxC-1x4-1-xx
ANGLE TOLERANCE	Check by:	Daniel	NingBo KLS ELECTRONIC CO.,LTD.
X. $\pm 5^\circ$	Date	2018-03-01	
.X $\pm 3^\circ$	SHEET	1 OF 1	
.XX $\pm 2^\circ$			