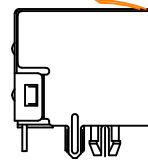
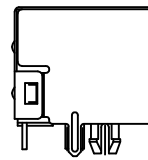


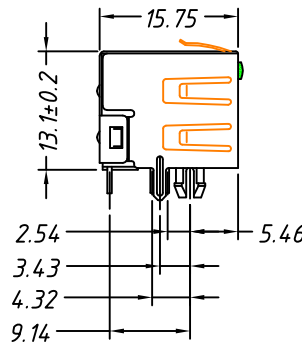
PCB Layout



TOP EMI Shield



With Shield



With EMI Shield

Material:

Housing: PBT+Glass Filled Polyester
 Flammability Rating: UL94V-0
 Contacts: Phosphor Bronze $\varnothing 0.46\text{mm}$
 Plating: Gold Plating
 Shield: Brass, Tin Plating

Electrical:

Voltage Rating: 125VAC
 Current Rating: 1.5A
 Contact Resistance: 30m Ω Max.
 Insulation Resistance: 500M Ω Min.
 Dielectric Strength: 1000VAC Rms 50Hz, 1 Min.
 Durability: 600 cycles Min.
 Operation Temperature: -40°C ~ +70°C

Order Information

L-KLS12-108-8P8C- 1x6 -X- G/Y-2-XX

RoHS

Contacts: 8P8C

Shield Code:

- 1-with Shield
- 2-with EMI Shield
- 3-TOP EMI Shield

LED Code: LEFT/RIGHT
 G/Y-Green/Yellow
 Y/G-Yellow/Green

Plating Code:

- 01-Fu" Gold Plating
- 02-3u" Gold Plating
- 03-6u" Gold Plating
- 04-15u" Gold Plating
- 05-30u" Gold Plating

| GENERAL TOLERANCE | PROJECTION | | Description: |
|-------------------|------------|------------|---|
| X. ± 0.30 | UNITS | mm | Modular jacks with LED, RJ45-8P8C 1x6 with SHELL |
| .X ± 0.25 | SCALE | 1:1 | |
| .XX ± 0.20 | Draw by: | Jenny | KLS P/N: L-KLS12-108-8P8C-1x6-X-X/X-2-XX |
| ANGLE TOLERANCE | Check by: | Daniel | NingBo KLS ELECTRONIC CO.,LTD. |
| X. $\pm 3^\circ$ | Date | 2019-12-26 | |
| .X $\pm 2^\circ$ | SHEET | 1 OF 1 | |
| .XX $\pm 1^\circ$ | | | |