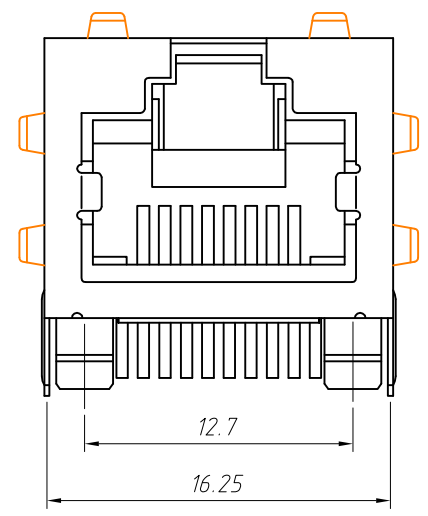
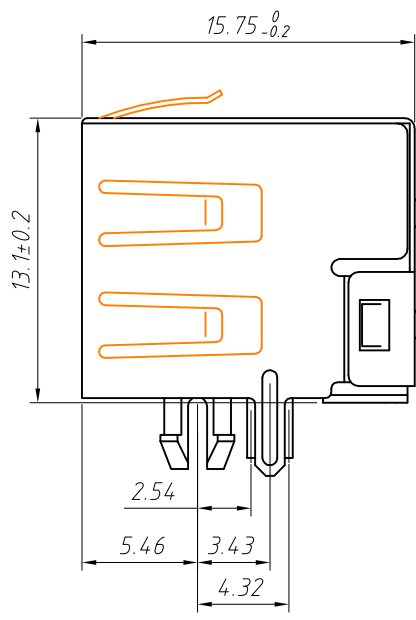
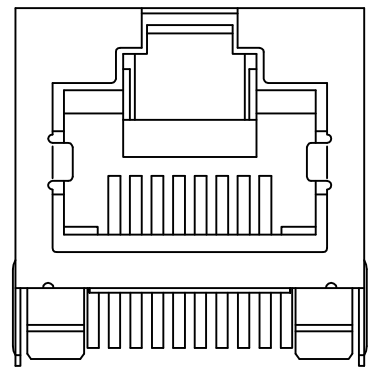


PCB Layout



With EMI Shield



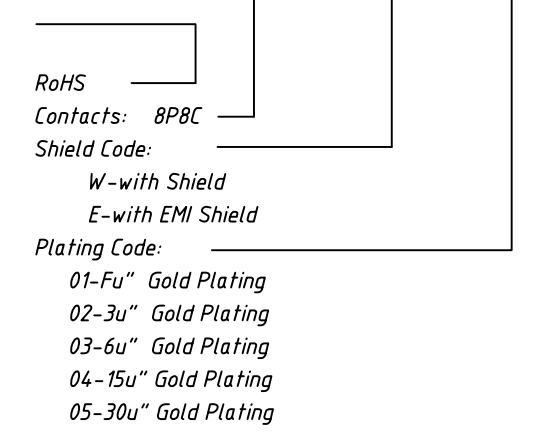
With Shield

**Material:**  
**Housing:** PBT+Glass Filled Polyester  
**Flammability Rating:** UL94V-0  
**Contacts:** Phosphor Bronze φ0.46mm  
**Plating:** Gold Plating  
**Shield:** Brass, Tin Plating

**Electrical:**  
**Voltage Rating:** 125VAC  
**Current Rating:** 1.5A  
**Contact Resistance:** 30mΩ Max.  
**Insulation Resistance:** 500MΩ Min.  
**Dielectric Strength:** 1000VAC Rms 50Hz, 1 Min.  
**Durability:** 600 cycles Min.  
**Operation Temperature:** -40°C ~ +70°C

Order Information

L-KLS12-140-8P8C- X- 5-XX



GENERAL TOLERANCE	PROJECTION		Description:
X. ±0.30	UNITS	mm	RJ45-8P8C 1x1 Modular jacks with Shield
.X ±0.25	SCALE	1:1	
.XX ±0.20	Draw by:	Jenny	
ANGLE TOLERANCE	Check by:	Daniel	KLS P/N: L-KLS12-140-8P8C-X-5-XX
X. ±3°	Date	2018-03-01	NingBo KLS ELECTRONIC CO.,LTD.
.X ±2°	SHEET	1 OF 1	
.XX ±1°			