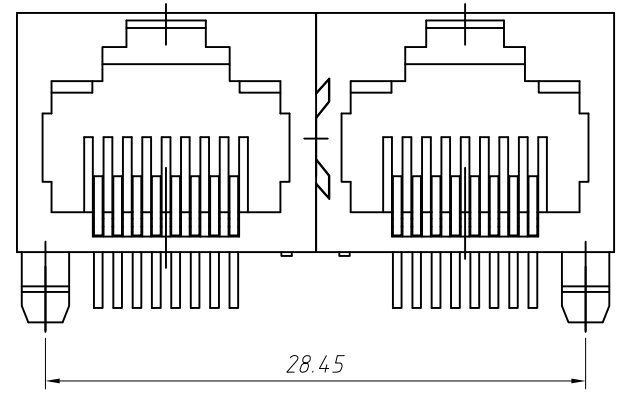
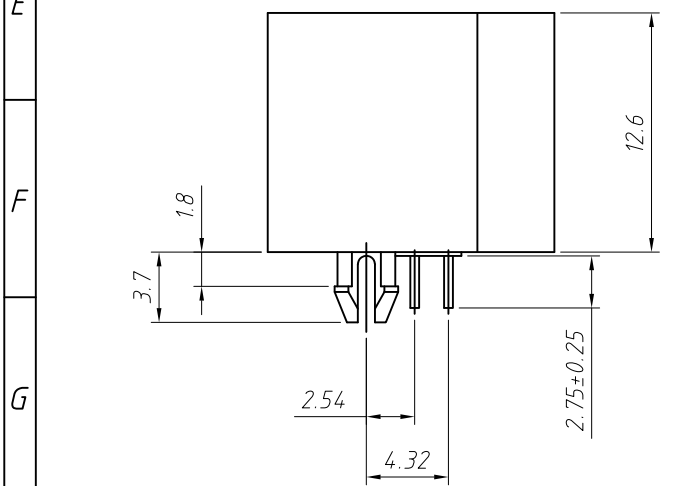


PCB Layout

Material:
Housing: PBT+Glass Filled Polyester
Flammability Rating: UL94V-0
Contacts: Phosphor Bronze Ø0.46mm
Plating: Gold Plating

Electrical:
Voltage Rating: 125VAC
Current Rating: 1.5A
Contact Resistance: 30mΩ Max.
Insulation Resistance: 500MΩ Min.
Dielectric Strength: 1000VAC Rms 50Hz, 1 Min.
Durability: 600 cycles Min.
Operation Temperature: -40°C ~ +70°C



Order Information

L-KLS12-140-8P8C-1x2-W/O-1-XX

RoHS
 Contacts: 8P8C
 Color Code:
 1-Black

Plating Code:
 01-Fu" Gold Plating
 02-3u" Gold Plating
 03-6u" Gold Plating
 04-15u" Gold Plating
 05-30u" Gold Plating

GENERAL TOLERANCE	PROJECTION		Description:
X. ±0.30	UNITS	mm	RJ45-8P8C 1x2 Modular jacks
.X ±0.25	SCALE	1:1	
.XX ±0.20	Draw by:	Jenny	KLS P/N: L-KLS12-140-8P8C-1x2-W/O-1-XX
ANGLE TOLERANCE	Check by:	Daniel	
X. ±3°	Date	2018-03-01	NingBo KLS ELECTRONIC CO.,LTD.
.X ±2°	SHEET	1 OF 1	
.XX ±1°			