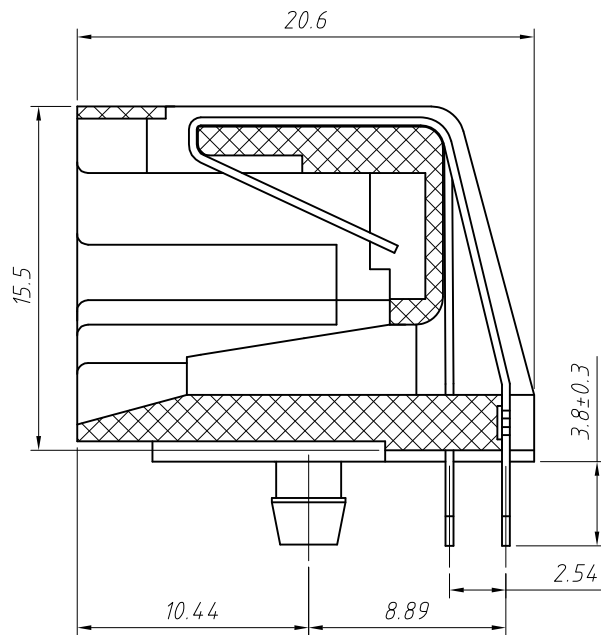
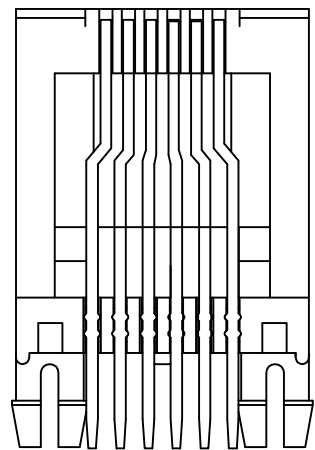
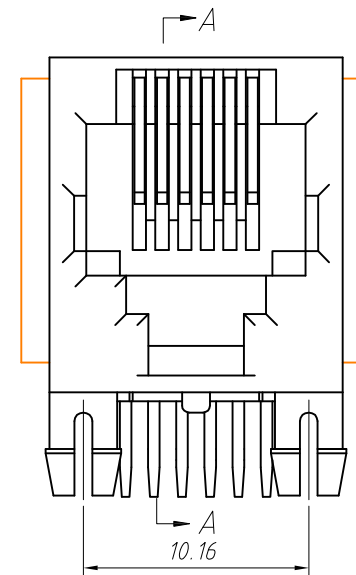


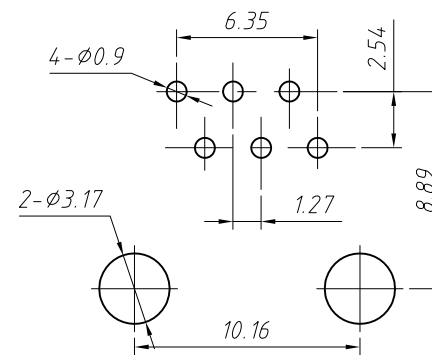
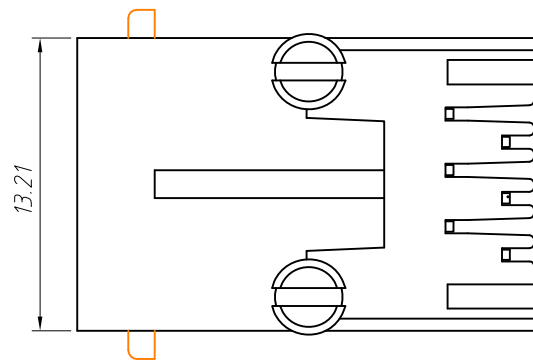
With Panel



SECTION A-A



Without Panel



PCB Layout

Material:  
 Housing: PBT+Glass Filled Polyester  
 Flammability Rating : UL 94V-0  
 Contacts: Phosphor Bronze  
 Plating: Gold Plating

Electrical:  
 Voltage Rating: 125VAC  
 Current Rating: 1.5A  
 Contact Resistance: 30mΩ Max.  
 Insulation Resistance: 500MΩ Min.  
 Dielectric Strength: 1000VAC Rms  
 50Hz, 1 Min.  
 Durability: 600 cycles Min.  
 Operation Temperature: -40°C ~ +70°C

Order Information

L-KLS12-144-6P6C - W- 1- XX

RoHS   
 Contacts: 6P6C  
 Panel: W-With Panel  
 W/O-Without Panel  
 Color Code:   
 1-Black

Plating Code:  
 01-Fu" Gold Plating  
 02-3u" Gold Plating  
 03-6u" Gold Plating  
 04-15u" Gold Plating  
 05-30u" Gold Plating

GENERAL TOLERANCE	PROJECTION		Description:
X. ±0.30	UNITS	mm	RJ12-6P6C Modular jacks
.X ±0.25	SCALE	1:1	
.XX ±0.20	Draw by:	Jenny	
ANGLE TOLERANCE	Check by:	Daniel	KLS P/N: L-KLS12-144-6P6C-X-X-XX
X. ±3°	Date	2018-03-01	NingBo KLS ELECTRONIC CO.,LTD.
.X ±2°	SHEET	1 OF 1	
.XX ±1°			