

PCB Layout

Material:
Housing: PBT+Glass Filled Polyester
Flammability Rating: UL94V-0
Contacts: Phosphor Bronze φ0.46mm
Plating: Gold Plating

Electrical:
Voltage Rating: 125VAC
Current Rating: 1.5A
Contact Resistance: 30mΩ Max.
Insulation Resistance: 500MΩ Min.
Dielectric Strength: 1000VAC Rms 50Hz, 1 Min.
Durability: 600 cycles Min.
Operation Temperature: -40°C ~ +70°C

Order Information

L-KLS12-127-6P6C - 1X3 - W - X - XX

RoHS

Contacts: 6P6C

Panel: W-With Panel

W/O-Without Panel

Color Code:

1-Black

2-Gray

Plating Code:

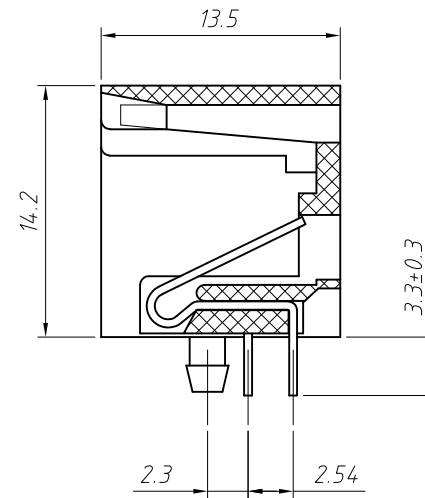
01-Fu" Gold Plating

02-3u" Gold Plating

03-6u" Gold Plating

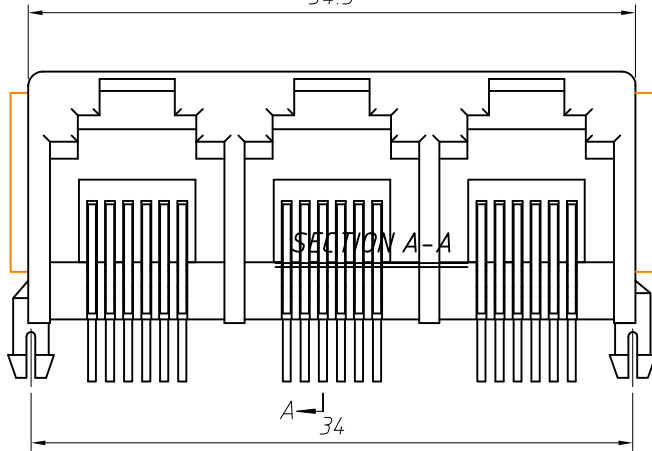
04-15u" Gold Plating

05-30u" Gold Plating

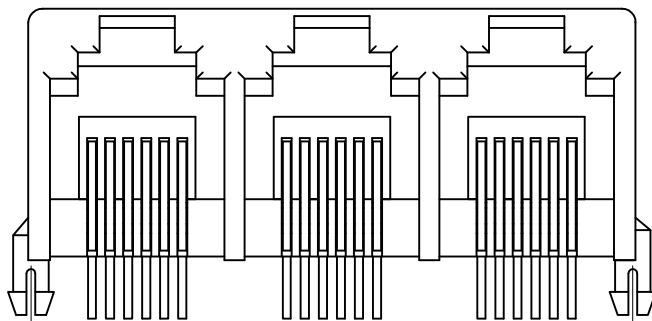


SECTION A-A

A
34.3



With Panel



Without Panel

| GENERAL TOLERANCE | PROJECTION | | Description: |
|-------------------|------------|------------|--------------------------------------|
| X. ±0.30 | UNITS | mm | RJ12-6P6C 1x3 Modular jacks |
| .X ±0.25 | SCALE | 1:1 | |
| .XX ±0.20 | Draw by: | Jenny | |
| ANGLE TOLERANCE | Check by: | Daniel | KLS P/N: L-KLS12-127-6P6C-1x3-X-X-XX |
| X. ±3° | Date | 2018-03-01 | NingBo KLS ELECTRONIC CO.,LTD. |
| .X ±2° | SHEET | 1 OF 1 | |
| .XX ±1° | | | |