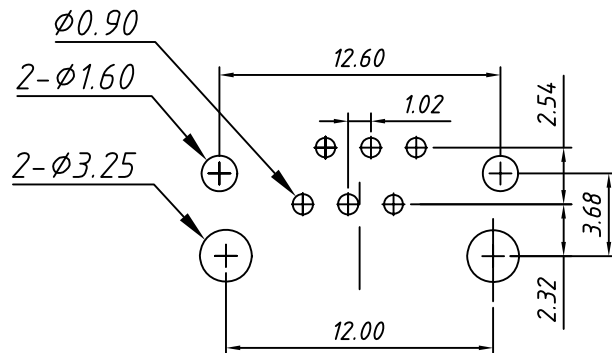
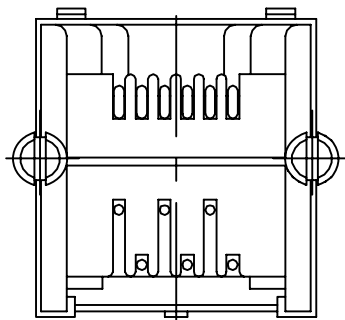


SECTION A-A



PCB Layout

Material:
 Housing: PBT+Glass Filled Polyester
 Flammability Rating: UL94V-0
 Contacts: Phosphor Bronze $\phi 0.46\text{mm}$
 Plating: Gold Plating
 Shield: Brass, Tin Plating

Electrical:
 Voltage Rating: 125VAC
 Current Rating: 1.5A
 Contact Resistance: $30\text{m}\Omega$ Max.
 Insulation Resistance: $500\text{M}\Omega$ Min.
 Dielectric Strength: 1000VAC Rms 50Hz, 1 Min.
 Durability: 600 cycles Min.
 Operation Temperature: $-40^{\circ}\text{C} \sim +70^{\circ}\text{C}$

Order Information

L-KLS12-121-6P6C - W - XX

RoHS

Contacts: 6P6C

Plating Code:

- 01-Fu" Gold Plating
- 02-3u" Gold Plating
- 03-6u" Gold Plating
- 04-15u" Gold Plating
- 05-30u" Gold Plating

GENERAL TOLERANCE	PROJECTION		Description:
X. ± 0.50	UNITS	mm	RJ12-6P6C Modular jacks with Shield
.X ± 0.25	SCALE	1:1	
.XX ± 0.10	Draw by:	Jenny	
ANGLE TOLERANCE	Check by:	Daniel	KLS P/N: L-KLS12-121-6P6C-W-XX
X. $\pm 5^{\circ}$	Date	2018-03-01	NingBo KLS ELECTRONIC CO.,LTD.
.X $\pm 3^{\circ}$	SHEET	1 OF 1	
.XX $\pm 2^{\circ}$			