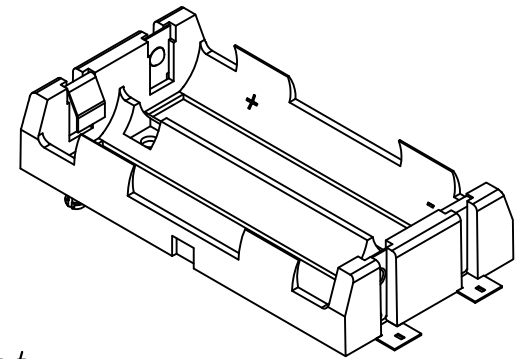
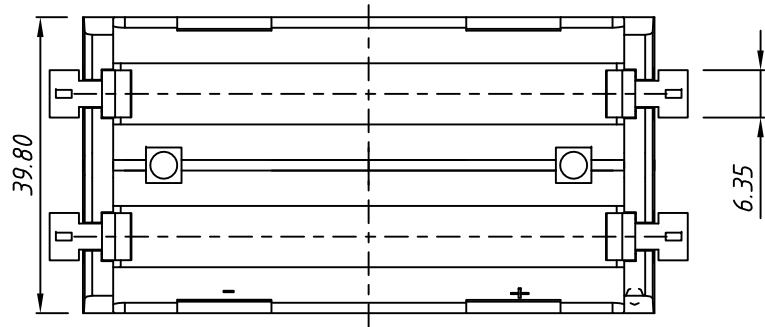
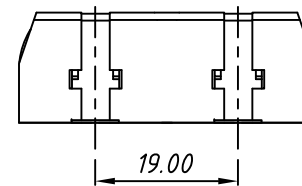
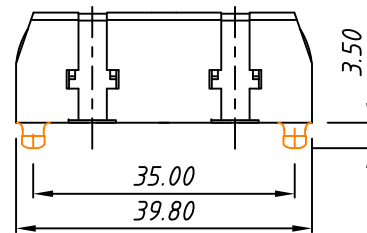
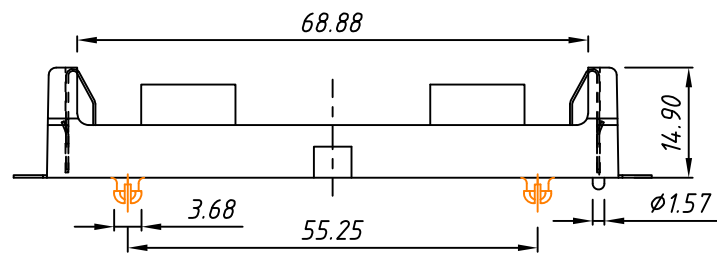


RoHS Compliant



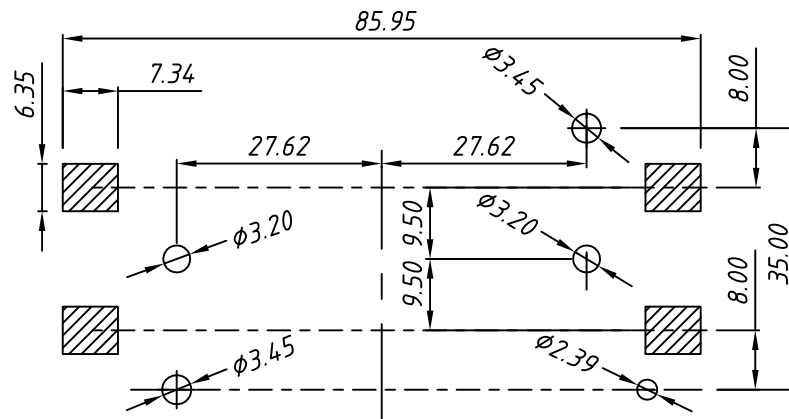
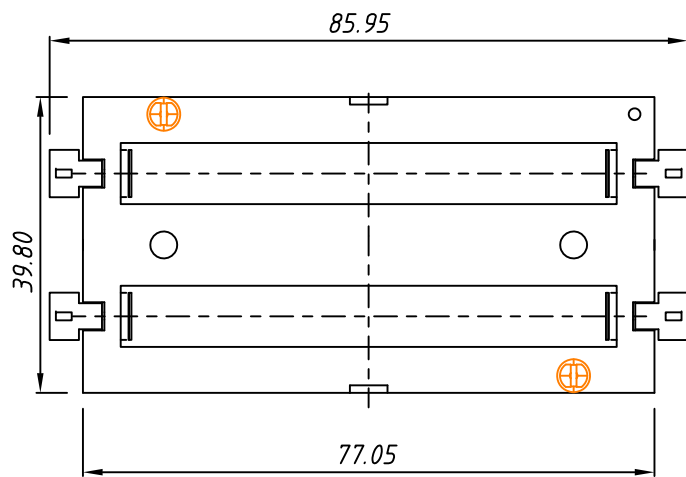
With Post

Without Post



MATERIAL

Insulator: Nylon 66,Black,UL 94V-0
Contact: 0.35 Phosphor Bronze, Gold plated




ORDER INFORMATION:

L - KLS5 - 18650 - 013 - M X

RoHS
2 Li-ion 18650 Battery Holder
M: SMT Type
Post: 0- without Post
1- with Post

RECOMMENDED PCB LAYOUT
TOLERANCE: ±0.05

GENERAL TOLERANCE	±0.50	PROJECTION UNITS	mm	Description:	2 Li-ion 18650 Battery Holder, SMT Type
Angle TOLERANCE	±3°	SHEET SIZE	A4		
		KLS P/N:		L-KLS5-18650-013-M X	
Draw:	Daniel	 NingBo KLS ELECTRONIC CO.,L TD.			
Check:	Daniel				
Data:	2019-03-08				