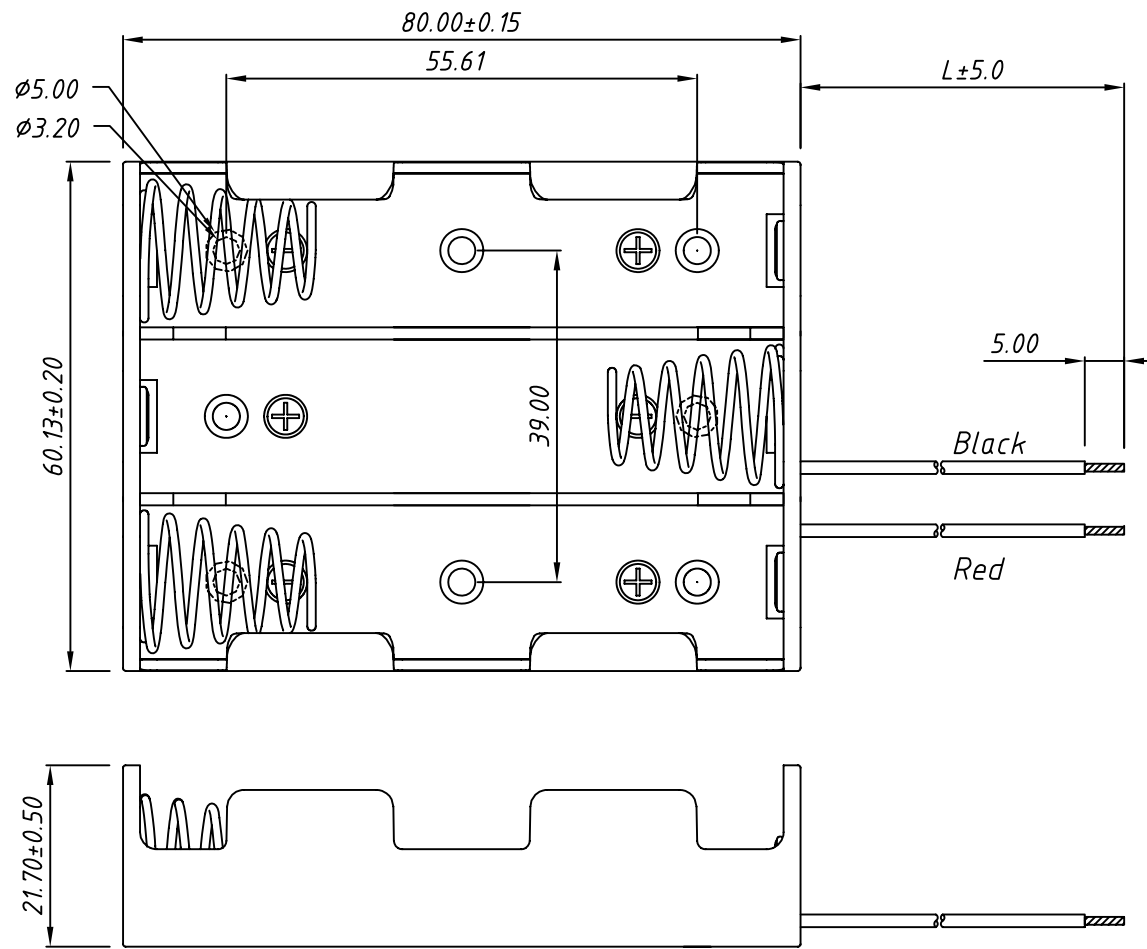
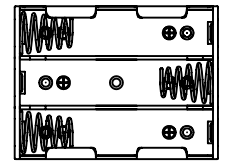


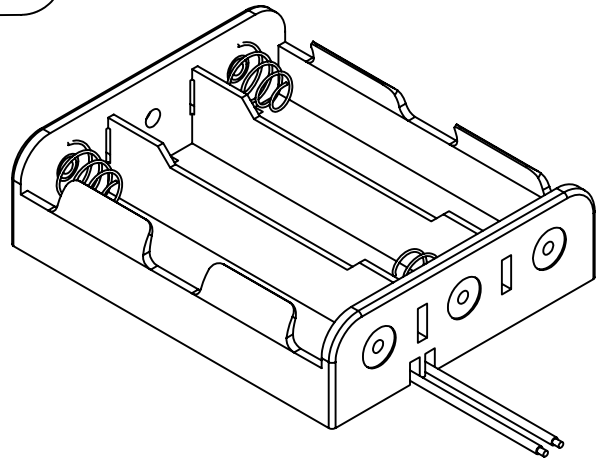
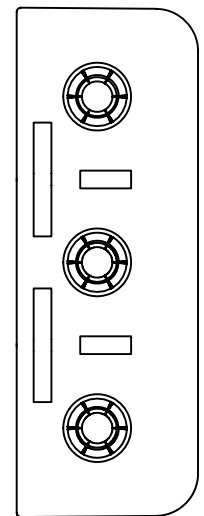
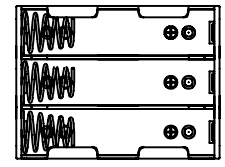
RoHS Compliant



Series connection




Parallel connection

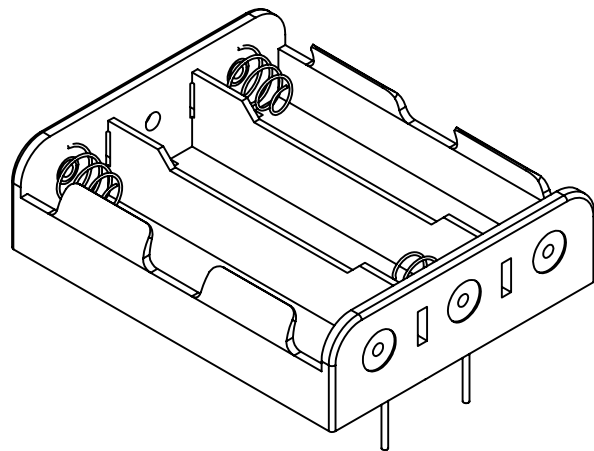
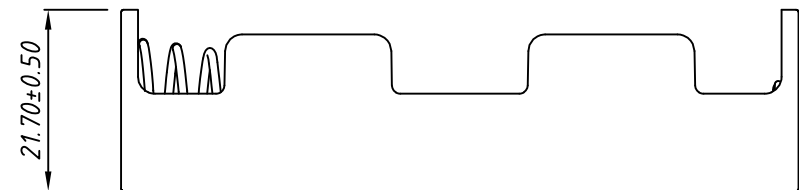
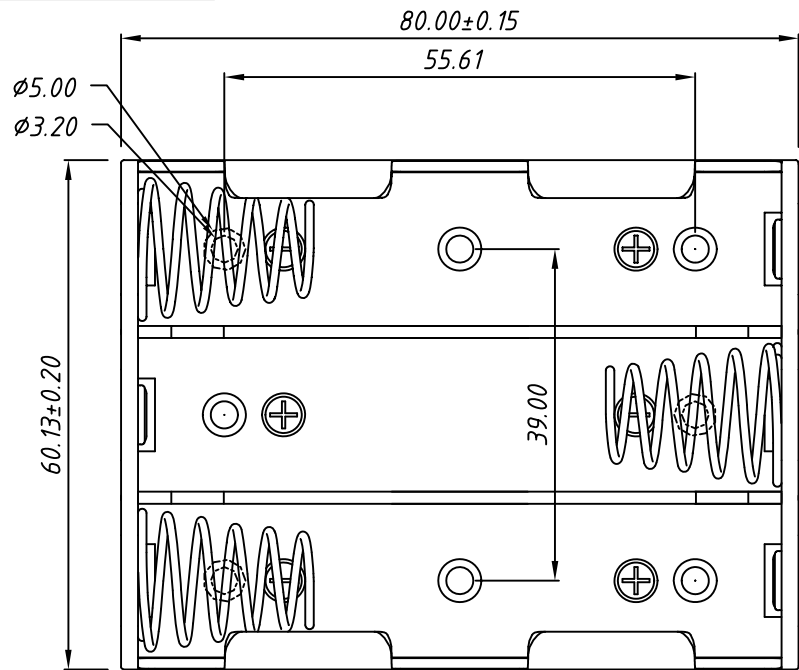


MATERIAL
 Insulator: PP,Black,UL 94HB
 Contact: 0.8x1.0mm, 65C Steel
 Spring,Nickel plated
 WIRE: 22AWG,Red/Black PVC
 Rivet: Brass,Nickel plated
 Temperature Range:-10°C ~ +80°C

ORDER INFORMATION:
 L - KLS5 - 18650-008- B X LXXX
 RoHS
 3 Li-ion 18650 Battery Holder
 B : with WIRE(22AWG)
 Circuit :
 S-Series connection
 P-Parallel connection
 XXX: Cable Long

GENERAL TOLERANCE	± 0.50	PROJECTION	Description: 3 Li-ion 18650 Battery Holder,with Wire
		UNITS	
Angle TOLERANCE	$\pm 3^\circ$	SHEET SIZE	A4
		KLS P/N: L-KLS5-18650-008-BLXXX	
Draw:	Daniel	 NingBo KLS ELECTRONIC CO.,L TD.	
Check:	Daniel		
Data:	2019-03-08		

RoHS Compliant



MATERIAL

Insulator: PP,Black,UL 94HB

Contact: 0.8x1.0mm, 65C Steel Spring, Nickel plated

PC Pin: $\phi 0.8 \times 28 \text{mm}$, Brass, Nickel plated

Rivet: Brass, Nickel plated

Temperature Range: $-10^{\circ}\text{C} \sim +80^{\circ}\text{C}$

ORDER INFORMATION:

L - KLS5 - 18650 - 008 - D X

RoHS

3 Li-ion 18650 Battery Holder

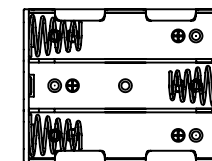
D: with PC Pin

Circuit:

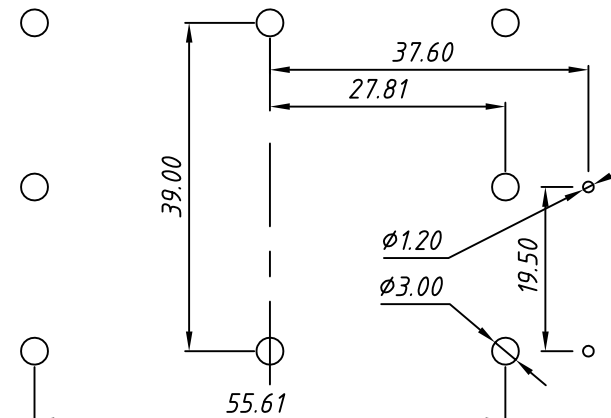
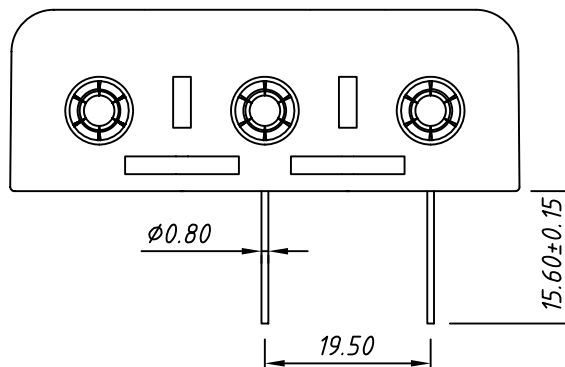
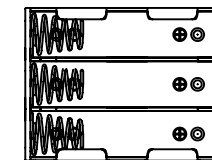
S-Series connection

P-Parallel connection

Series connection




Parallel connection



RECOMMENDED PCB LAYOUT

TOLERANCE: ± 0.05

GENERAL TOLERANCE	± 0.50	PROJECTION	Description: 3 Li-ion 18650 Battery Holder, with PC Pin
		UNITS	
Angle TOLERANCE	$\pm 3^{\circ}$	SHEET SIZE	A4
		KLS P/N: L-KLS5-18650-008-D X	
Draw:	Daniel	 NingBo KLS ELECTRONIC CO.,L TD.	
Check:	Daniel		
Data:	2019-03-08		