

1 2 3 4 5 6 7 8

A RoHS Compliant A

B B

C C

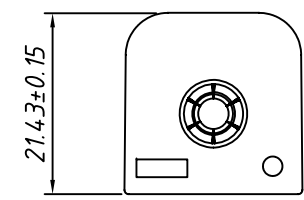
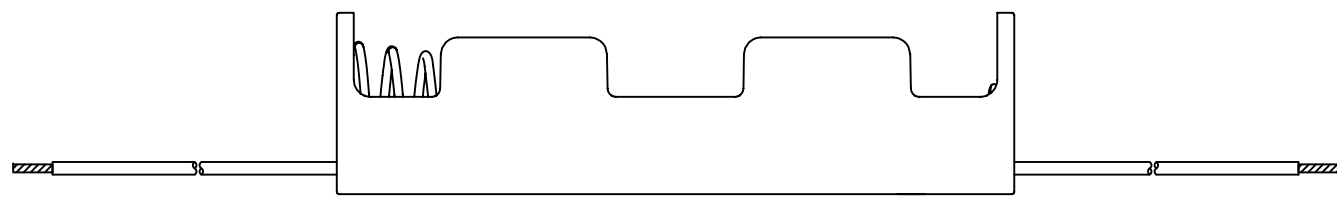
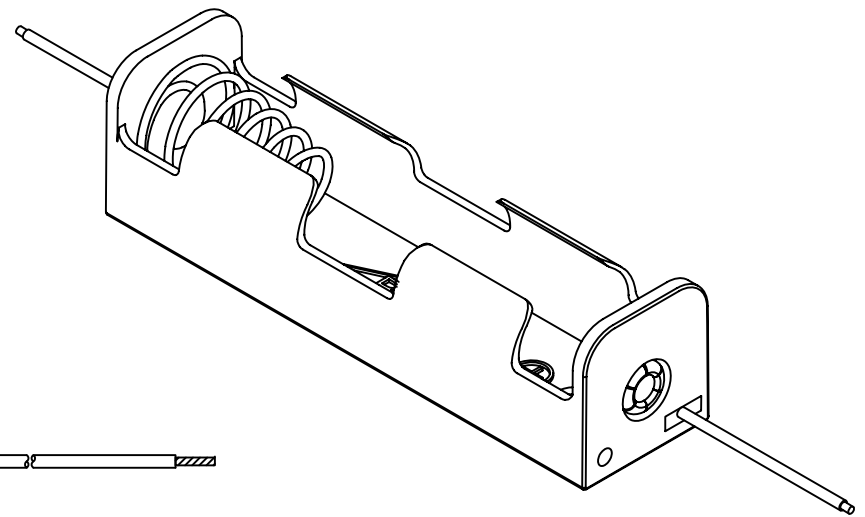
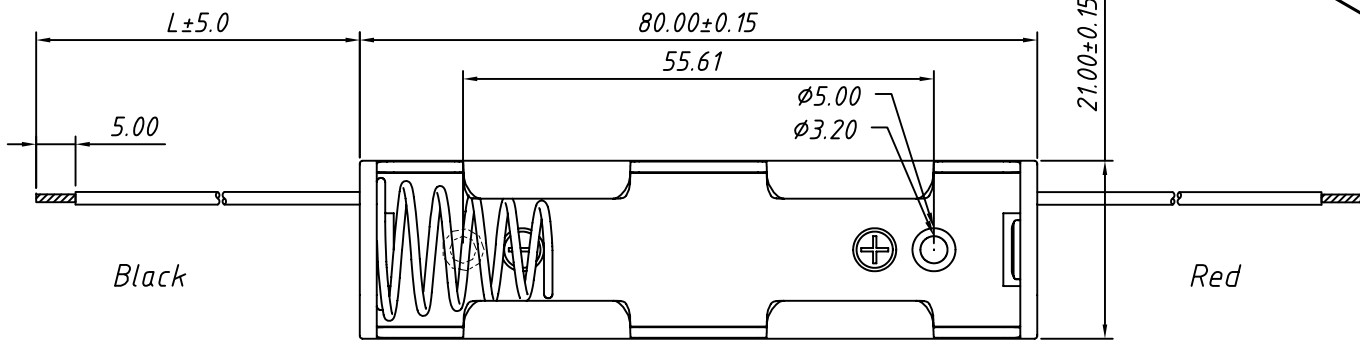
D D

E E

F F

G G

H H




ORDER INFORMATION:

L - KLS5 - 18650-001- B LXXX

RoHS
1 Li-ion 18650 Battery Holder
B : with WIRE(22AWG)
XXX: Cable Long

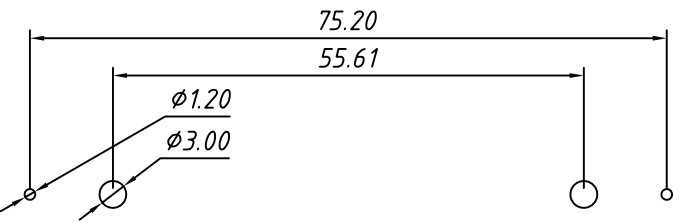
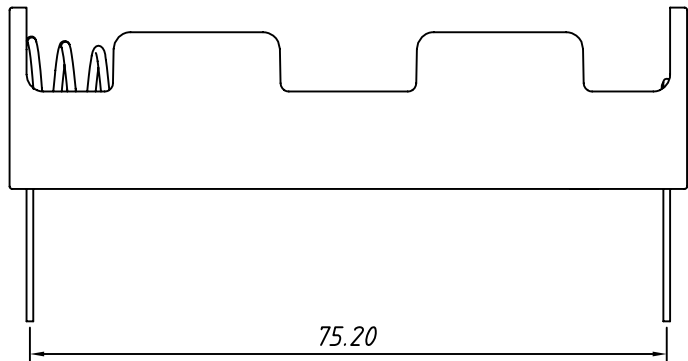
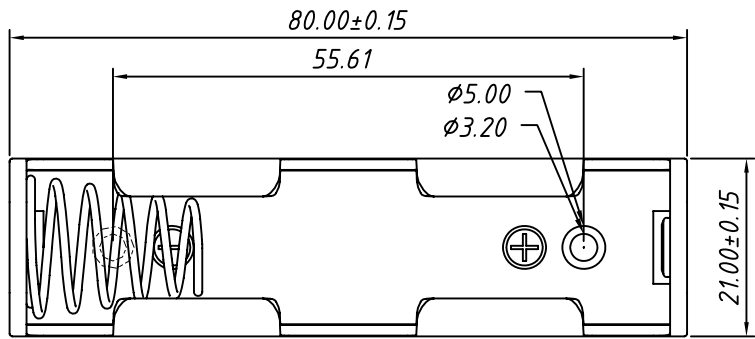
MATERIAL

Insulator: PP,Black,UL94HB
Contact: 0.8×1.0mm, 65C Steel
Spring,Nickel plated
WIRE: 22AWG,Red/Black PVC
Rivet: Brass,Nickel plated
Temperature Range:-10°C~+80°C

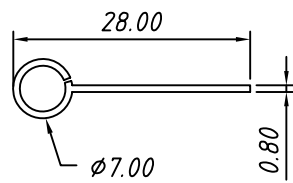
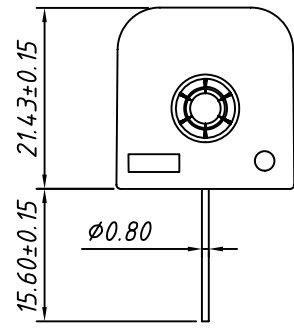
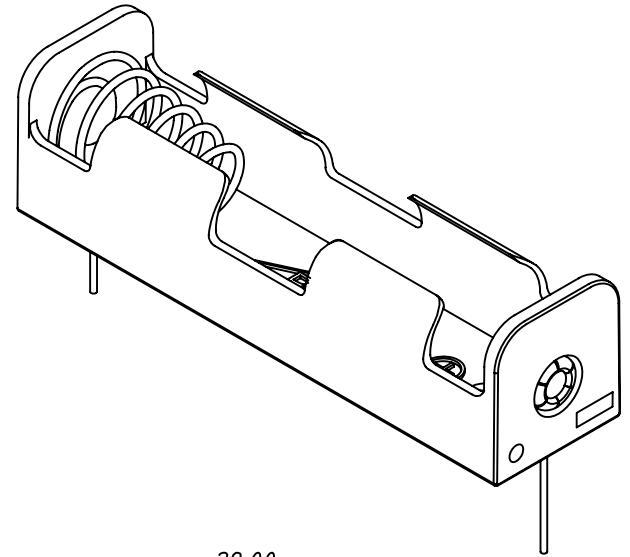
GENERAL TOLERANCE	±0.50	PROJECTION	Description:	1 Li-ion 18650
		UNITS		
Angle TOLERANCE	±3°	SHEET SIZE	A4	
		KLS P/N:		L-KLS5-18650-001-BLXXX
Draw:	Daniel	 NingBo KLS ELECTRONIC CO.,L TD.		
Check:	Daniel			
Data:	2019-03-08			

1 2 3 4 5 6 7 8

1
RoHS Compliant



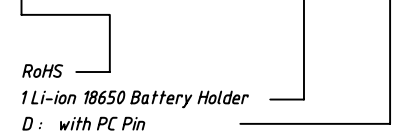
RECOMMENDED PCB LAYOUT
TOLERANCE: ±0.05




PC Pin

ORDER INFORMATION:

L - KLS5 - 18650 - 001 - D



MATERIAL
 Insulator: PP,Black,UL94HB
 Contact: 0.8x1.0mm, 65C Steel Spring,Nickel plated
 PC Pin: 0.8x28mm,Brass, Nickel plated
 Rivet: Brass,Nickel plated
 Temperature Range: -10°C ~ +80°C

GENERAL TOLERANCE	±0.50	PROJECTION	Description:	1 Li-ion 18650 Battery Holder,with PC Pin
		UNITS		
Angle TOLERANCE	±3°	SHEET SIZE	A4	
		KLS P/N:		L-KLS5-18650-001-D
Draw:	Daniel	 NingBo KLS ELECTRONIC CO.,L TD.		
Check:	Daniel			
Data:	2019-03-08			