

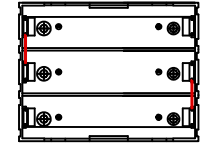
1 RoHS Compliant

MATERIAL

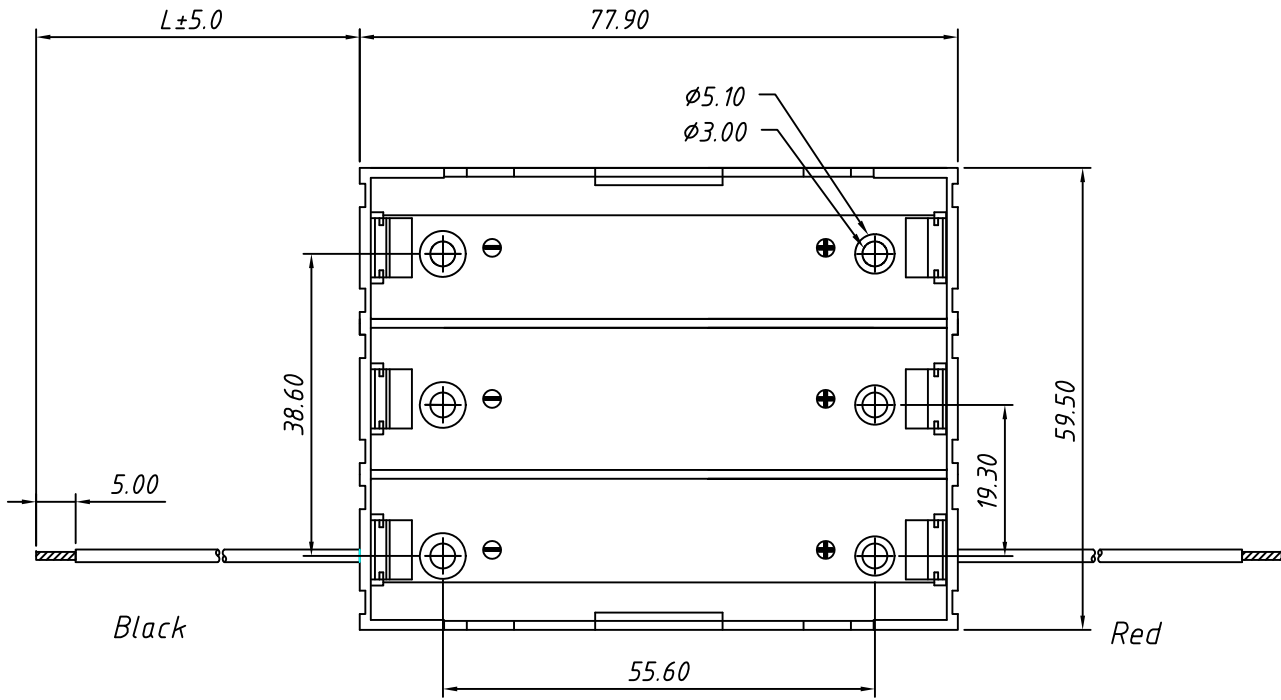
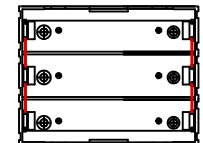
Insulator: ABS,Black,UL 94HB

Contact: 304 Stainless Steel Spring
Temper,Nickel plated

Series
connection



Parallel
connection



ORDER INFORMATION:

L - KLS5 - 18650-003- B X LXXX

RoHS

3 Li-ion 18650 Battery Holder

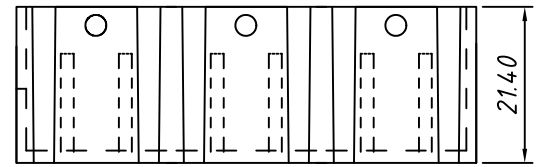
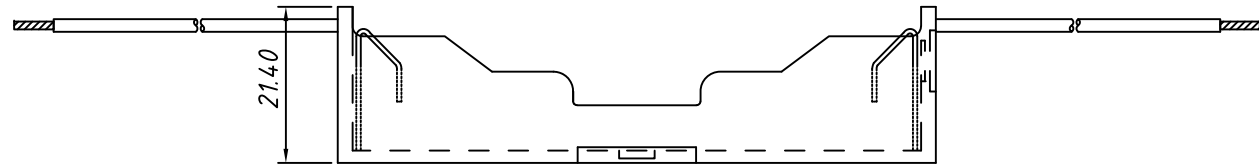
B : with WIRE(22AWG)


Circuit :

S-Series connection

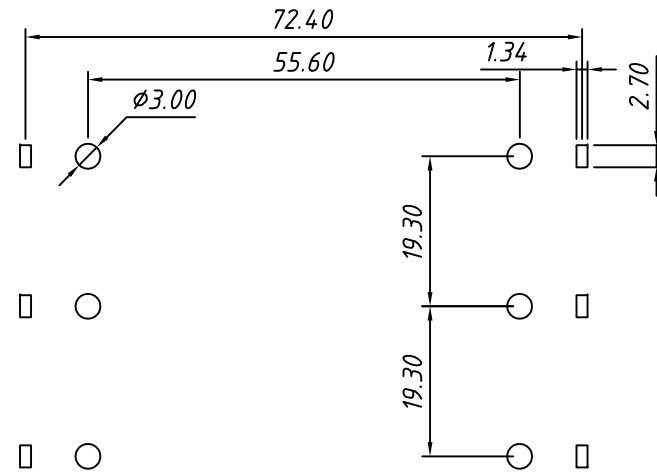
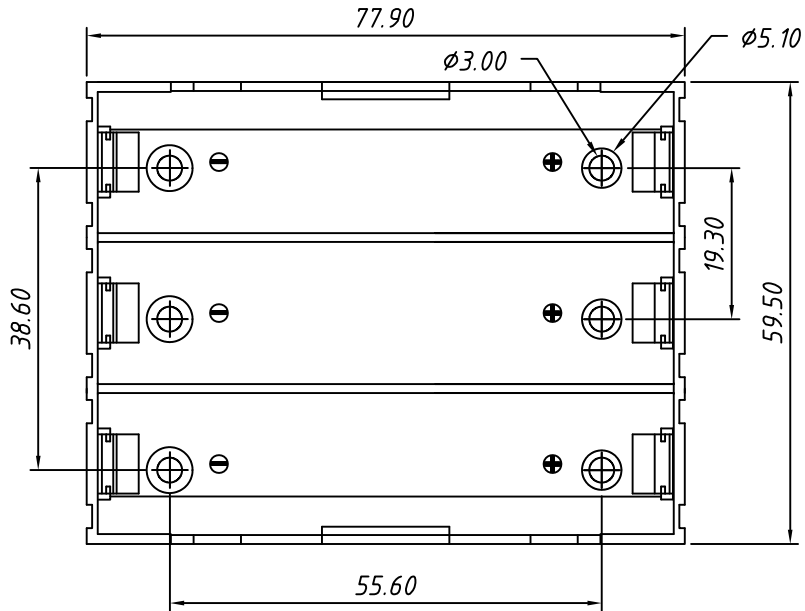
P-Parallel connection

XXX: Cable Long



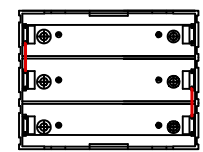
GENERAL TOLERANCE	±0.50	PROJECTION	Description:	3 Li-ion 18650 Battery Holder,with WIRE
		UNITS		
Angle TOLERANCE	±3°	SHEET SIZE	A4	
		KLS P/N:		L-KLS5-18650-003-BXLXXX
Draw:	Daniel	 NingBo KLS ELECTRONIC CO.,L TD.		
Check:	Daniel			
Data:	2019-03-08			

RoHS Compliant

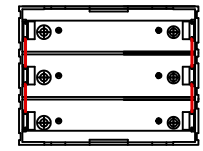


RECOMMENDED PCB LAYOUT
TOLERANCE: ±0.05

Series connection



Parallel connection



MATERIAL

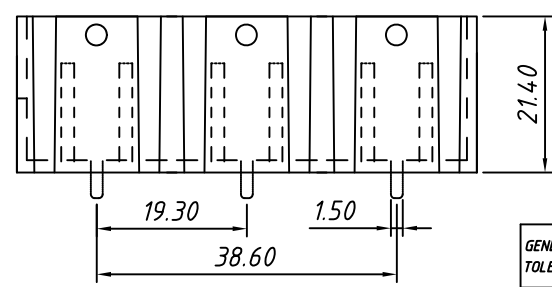
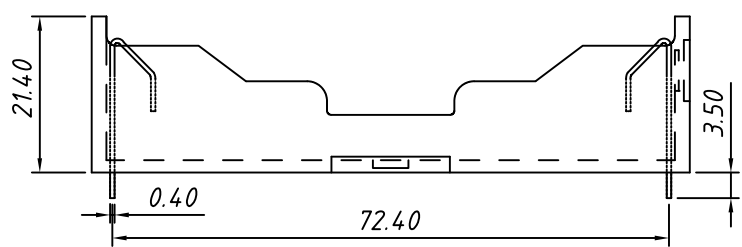
Insulator: ABS, Black, UL 94HB
Contact: 304 Stainless Steel Spring
Temper, Nickel plated


ORDER INFORMATION:

L - KLS5 - 18650 - 003 - D X

RoHS
3 Li-ion 18650 Battery Holder
D: with PC Pin

Circuit:
S-Series connection
P-Parallel connection



GENERAL TOLERANCE	±0.50	PROJECTION	Description:	3 Li-ion 18650 Battery Holder, with PC Pin
		UNITS		
Angle TOLERANCE	±3°	SHEET SIZE	A4	
		KLS P/N:		L-KLS5-18650-003-DX
Draw:	Daniel	 NingBo KLS ELECTRONIC CO.,L TD.		
Check:	Daniel			
Data:	2019-03-08			