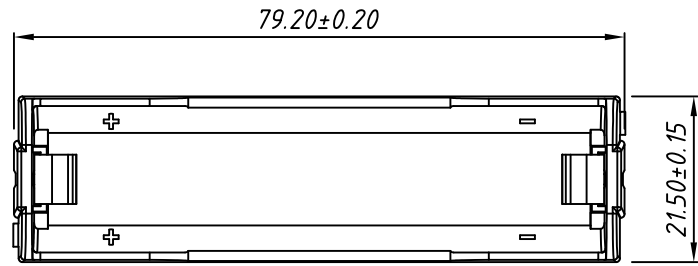
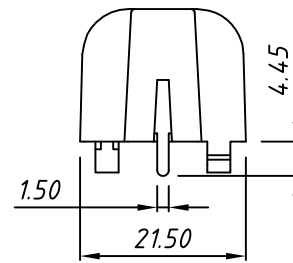
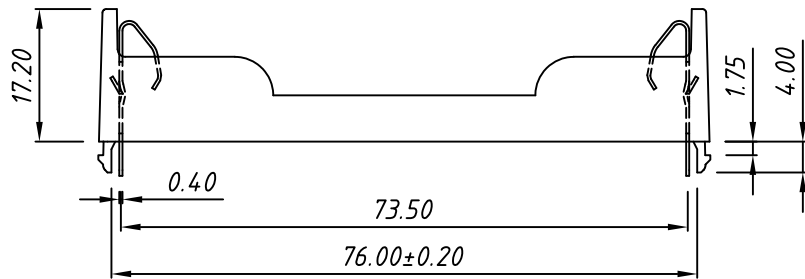
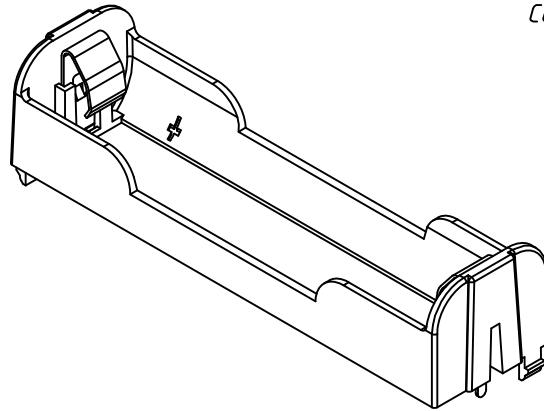


1
RoHS Compliant



MATERIAL

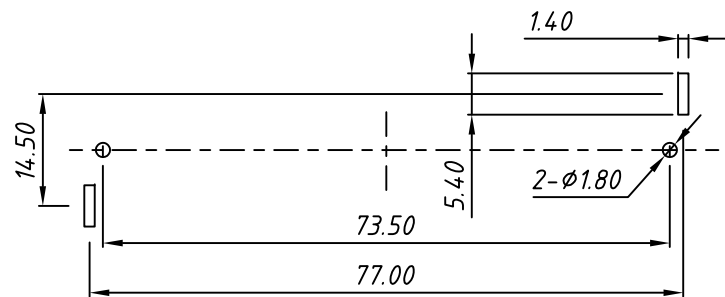
Insulator: ABS,Black,UL94HB
Contact: 304 Stainless Steel Spring
Temper,Nickel plated



ORDER INFORMATION:

L - KLS5 - 18650 - 005 - D

RoHS
1Li-ion 18650 Battery Holder
D : with PC Pin



RECOMMENDED PCB LAYOUT
TOLERANCE:±0.05

GENERAL TOLERANCE	±0.50	PROJECTION		Description: 1Li-ion 18650 Battery Holder,with PC Pin
		UNITS	mm	
Angle TOLERANCE	±3°	SHEET SIZE	A4	KLS P/N: L-KLS5-18650-005-D
		KLS P/N:		
Draw:	Daniel	NingBo KLS ELECTRONIC CO.,L TD.		
Check:	Daniel			
Data:	2019-03-08			