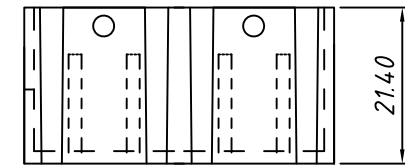
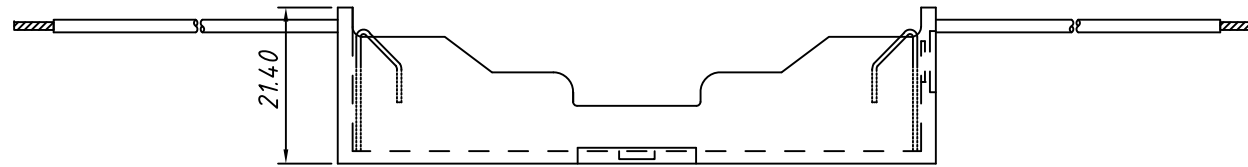
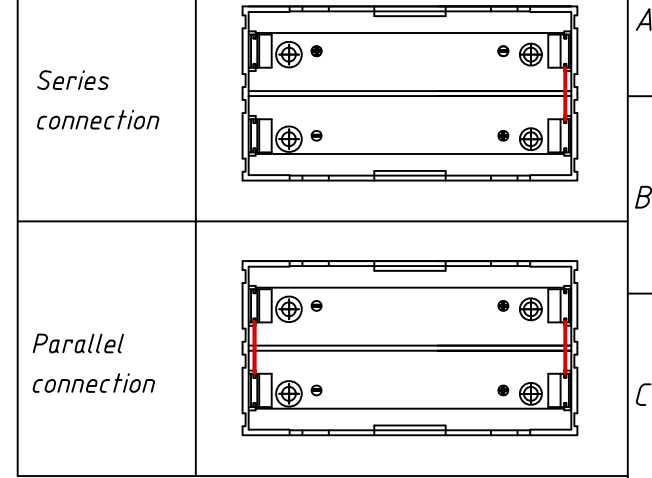
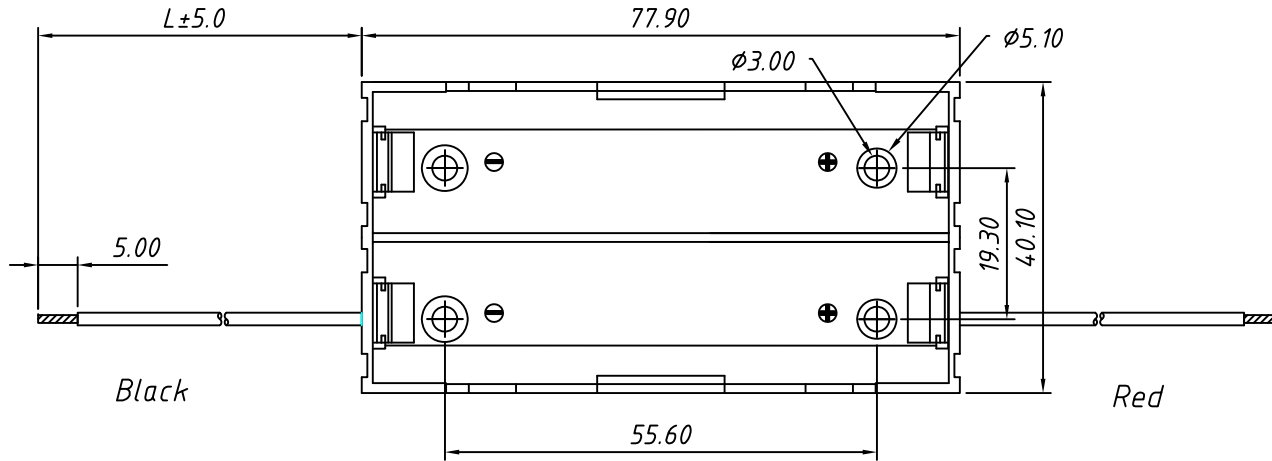


1 RoHS Compliant




MATERIAL

Insulator: ABS,Black,UL94HB
 Contact: 304 Stainless Steel Spring
 Temper,Nickel plated

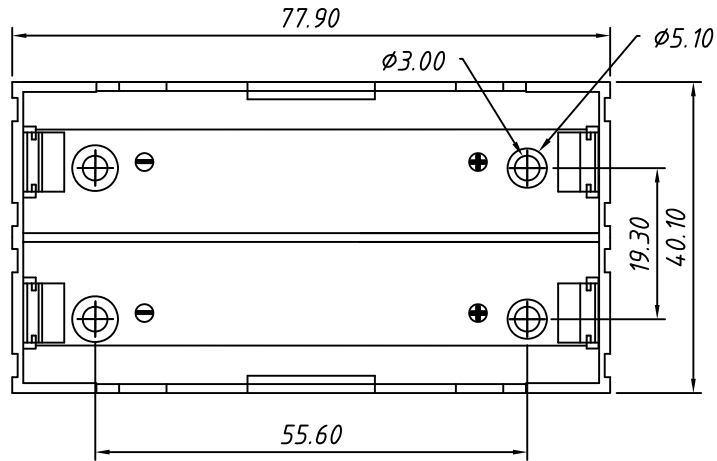
ORDER INFORMATION:

L - KLS5 - 18650-002- B X LXXX

RoHS
 2 Li-ion 18650 Battery Holder
 B : with WIRE(22AWG)
 Circuit :
 S-Series connection
 P-Parallel connection
 XXX: Cable Long

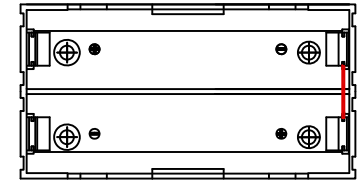
GENERAL TOLERANCE	±0.50	PROJECTION	Description:	2 Li-ion 18650 Battery Holder,with WIRE
		UNITS		
Angle TOLERANCE	±3°	SHEET SIZE	KLS P/N: L-KLS5-18650-002-BXLXXX	
Draw:	Daniel	 NingBo KLS ELECTRONIC CO.,L TD.		
Check:	Daniel			
Data:	2019-03-08			

1 RoHS Compliant

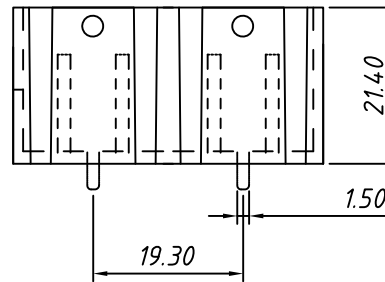
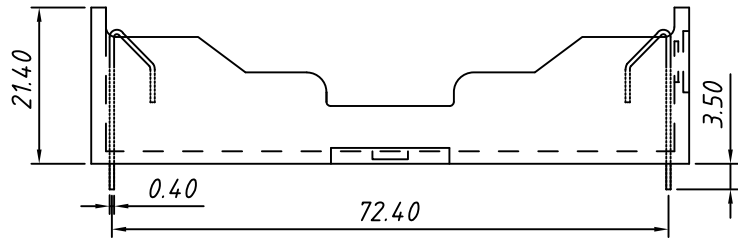
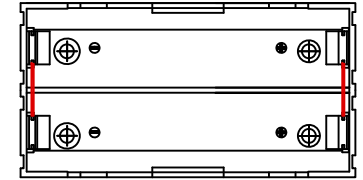


MATERIAL
 Insulator: ABS,Black,UL 94HB
 Contact: 304 Stainless Steel Spring
 Temper,Nickel plated

Series connection



Parallel connection

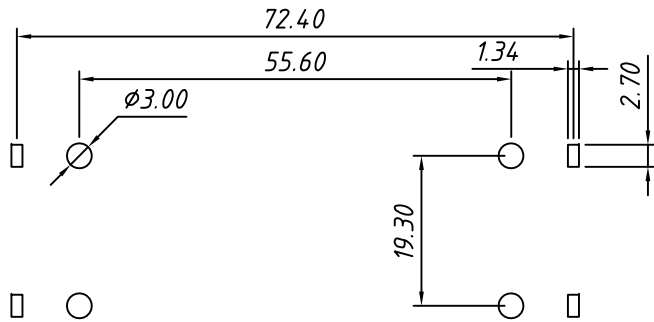


ORDER INFORMATION:


L- KLS5 - 18650 - 002 - D X

RoHS
 2 Li-ion 18650 Battery Holder
 D: with PC Pin

Circuit :
 S-Series connection
 P-Parallel connection



RECOMMENDED PCB LAYOUT
 TOLERANCE:±0.05

GENERAL TOLERANCE	±0.50	PROJECTION	Description:	2 Li-ion 18650 Battery Holder,with PC Pin
		UNITS		
Angle TOLERANCE	±3°	SHEET SIZE	A4	
		KLS P/N:		L-KLS5-18650-002-DX
Draw:	Daniel	 NingBo KLS ELECTRONIC CO.,L TD.		
Check:	Daniel			
Data:	2019-03-08			