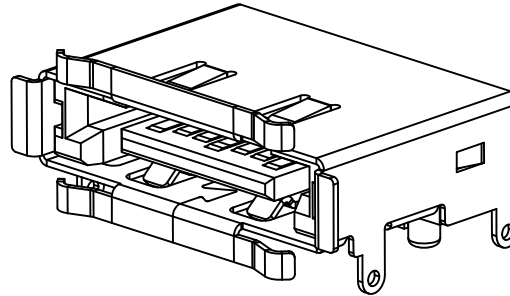
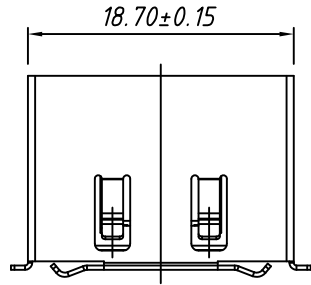


1
RoHS Compliance

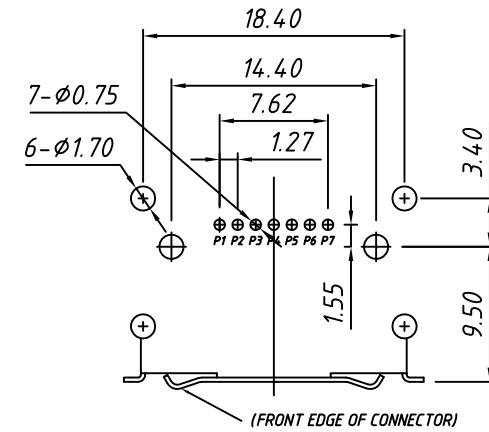
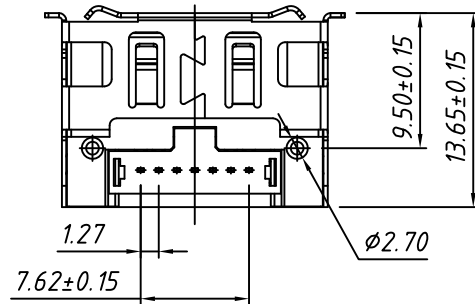
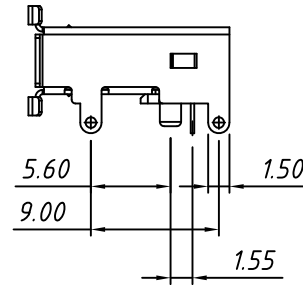
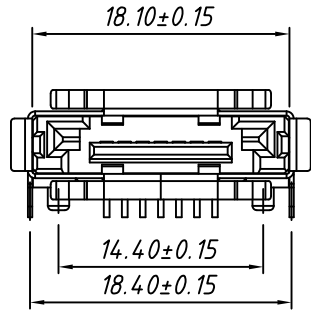


MATERIAL:

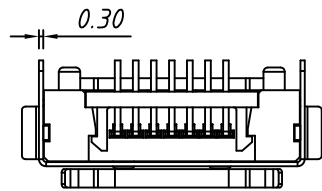
Housing:LCP,UL94-V0,Black
Contact:Copper alloy,50u"min. Nickel plating
Overall;100u" min.Tin on solder tail;
Gold plating on contact area.
Peg:Brass,Nickel and Tin plating overall.

ELECTRICAL:

Contact Resistance: 25 mΩ Max.
Insulation Resistance:1000 MΩ Min.
Dielectric Withstanding Voltage: 500VRMS Min.



Recommend PC Board Layout



TOLERANCE	PROJECTION	Description:
.X ±0.30		e-SATA 7P Male Connector, Straight
.XX ±0.20	UNITS	
.XXX ±0.10	SHEET	A4
X. ±2°	Draw:	Daniel
.X ±1°	Check:	Daniel
.XX ±0.5°	Date	2018-03-01

NingBo KLS ELECTRONIC CO.,LTD.

