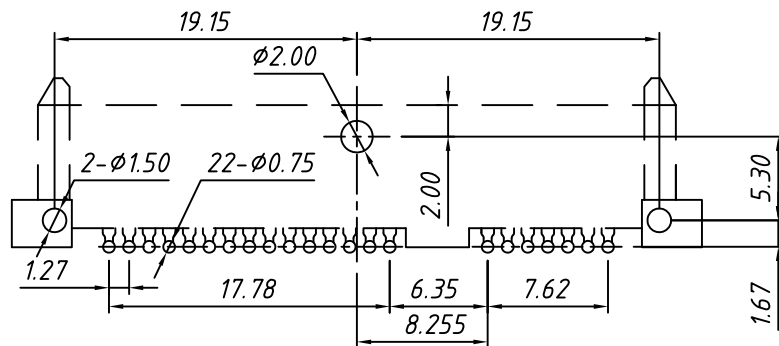
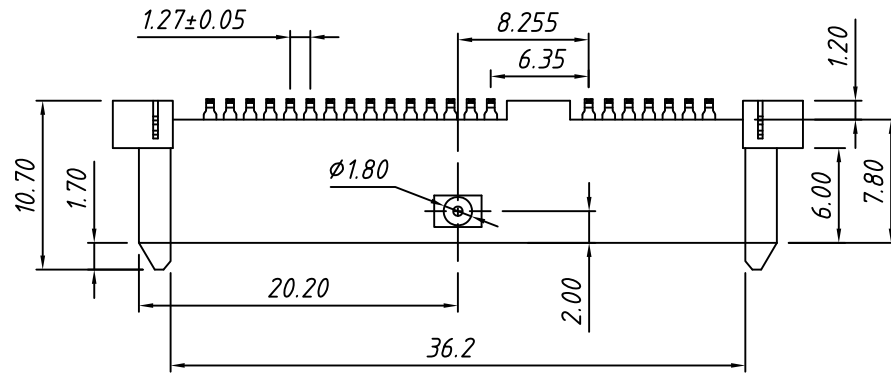
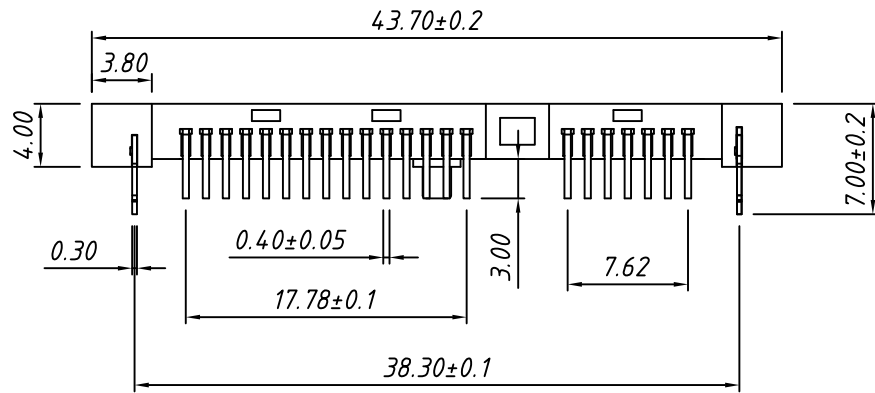


1 RoHS Compliance



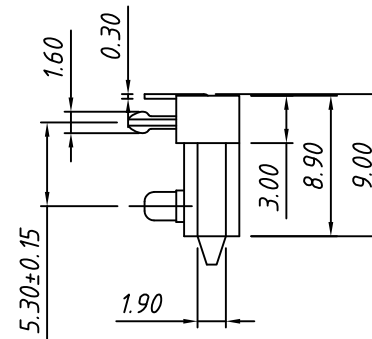
Recommend PC Board Layout

MATERIAL:

Housing:LCP,UL94-V0,Black
 Contact:Copper alloy,50u"min. Nickel plating
 Overall;100u" min.Tin on solder tail;
 Gold plating on contact area.
 Hook:Copper alloy,Nickel and Tin plating overall.

ELECTRICAL:

Contact Resistance: 25 mΩ Max.
 Insulation Resistance:1000 MΩ Min.
 Dielectric Withstanding Voltage: 500VRMS Min.



TOLERANCE		Description:	SATA 7+15P Female	
.X ±0.30	PROJECTION		Connector,Right angle DIP,H4.00mm	
.XX ±0.20	UNITS		mm	
.XXX ±0.10	SHEET	A4	KLS P/N:	L-KLS1-SATA407
X. ±2°	Draw:	Daniel		NingBo KLS ELECTRONIC CO.,LTD.
.X ±1°	Check:	Daniel		
.XX ±0.5°	Date	2018-03-01		