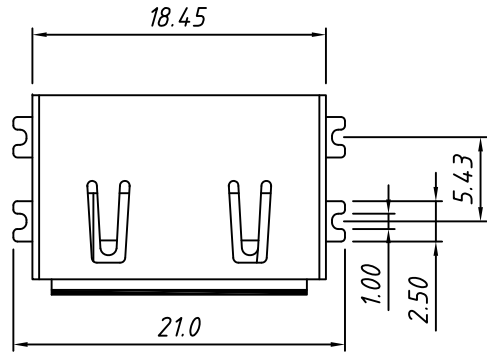


1 RoHS Compliance

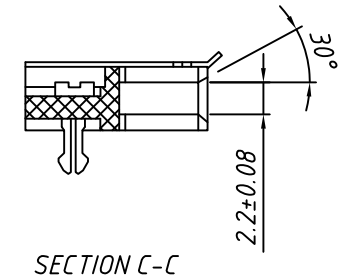
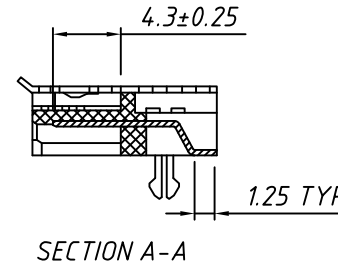
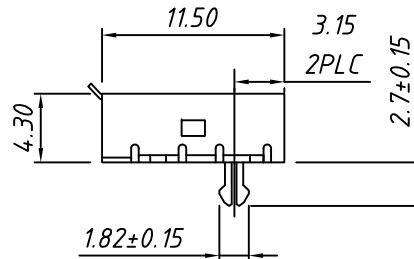
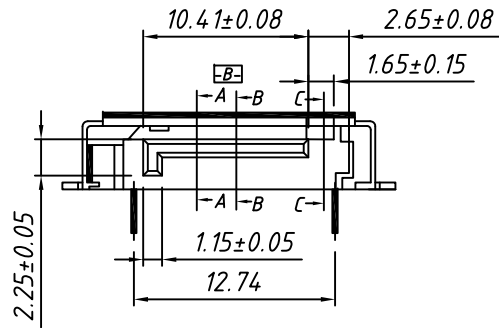


MATERIAL:

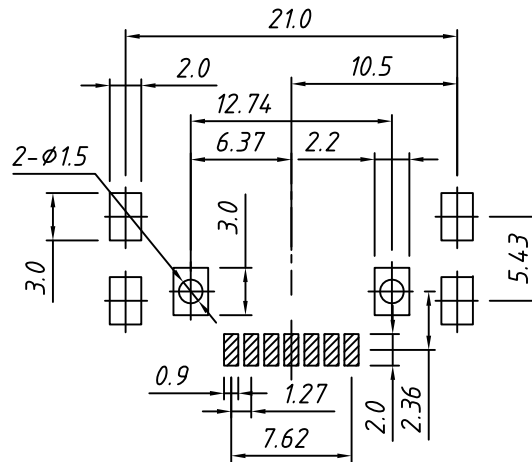
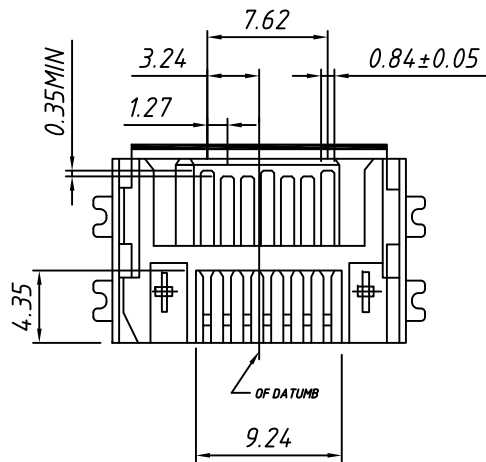
Housing: LCP, UL 94-V0, Black  
 Contact: Copper alloy, 50u" min. Nickel plating  
 Overall: 100u" min. Tin on solder tail;  
 Gold plating on contact area.  
 Hook: Copper alloy, Nickel and Tin plating overall.

ELECTRICAL:

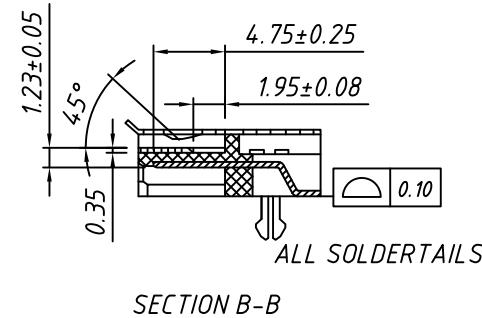
Contact Resistance: 25 mΩ Max.  
 Insulation Resistance: 1000 MΩ Min.  
 Dielectric Withstanding Voltage: 500VRMS Min.



SECTION C-C



Recommend PC Board Layout



SECTION B-B

TOLERANCE	Description:	
.X ±0.30	PROJECTION	
.XX ±0.20	UNITS	mm
.XXX ±0.10	SHEET	A4
X. ±2°	Draw:	Daniel
.X ±1°	Check:	Daniel
.XX ±0.5°	Date	2018-03-01
		SATA 7P Male Connector, SMD, with SHELL
		KLS P/N: L-KLS1-SATA011
		NingBo KLS ELECTRONIC CO., LTD.