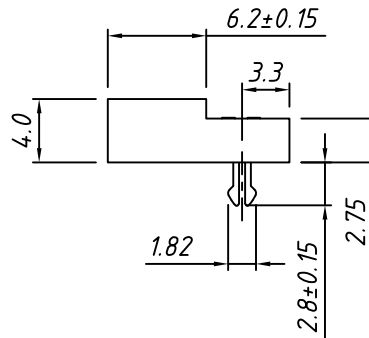
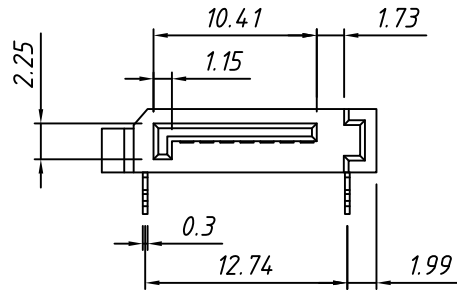
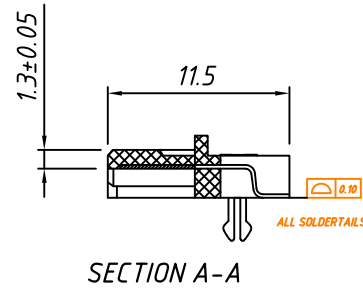
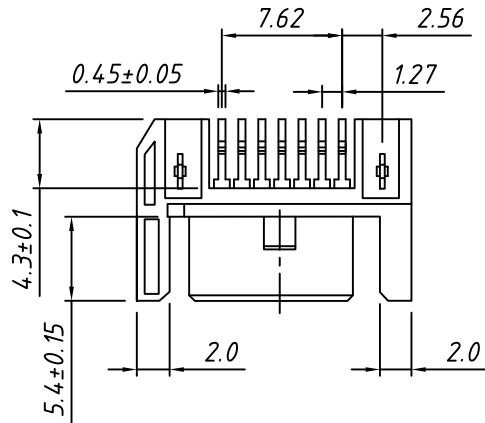


RoHS Compliance

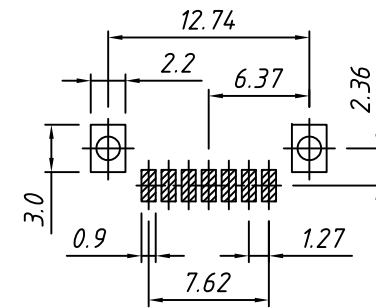


**MATERIAL:**

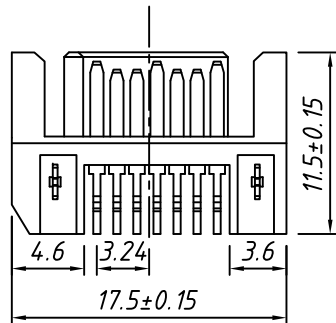
Housing: Thermoplastic, UL 94-V0  
 Contact: Copper alloy, 50u" min. Nickel plating  
 Overall; 100u" min. Tin on solder tail;  
 Gold plating on contact area.  
 Hook: Copper alloy, Nickel and Tin plating overall.

**ELECTRICAL:**

Contact Resistance: 25 mΩ Max.  
 Insulation Resistance: 1000 MΩ Min.  
 Dielectric Withstanding Voltage: 500VRMS Min.

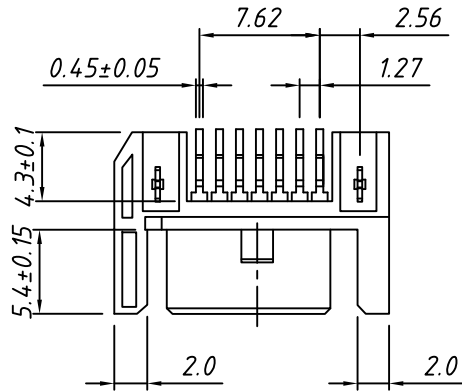


Recommend PC Board Layout

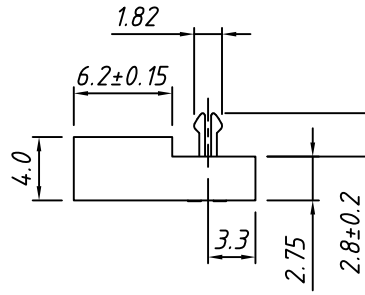
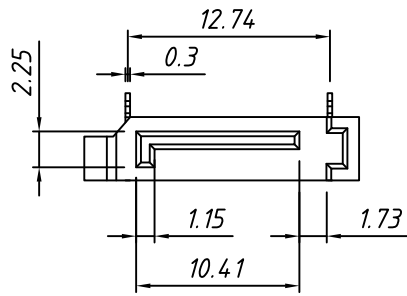


TOLERANCE		Description:	SATA Type A 7P Male Connector, SMD	
.X ±0.30	PROJECTION			
.XX ±0.20	UNITS	mm		
.XXX ±0.10	SHEET	A4	KLS P/N:	L-KLS1-SATA008 A
X. ±2°	Draw:	Daniel		NingBo KLS ELECTRONIC CO.,LTD.
.X ±1°	Check:	Daniel		
.XX ±0.5°	Date	2018-03-01		

1 RoHS Compliance



SECTION A-A

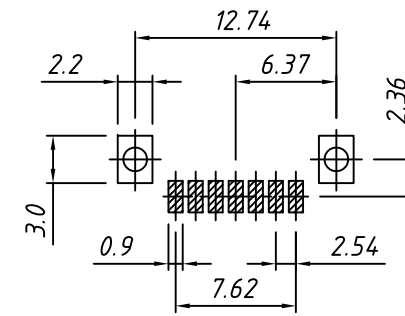


MATERIAL:

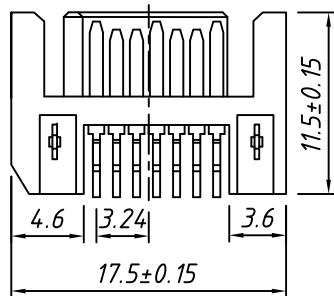
Housing: Thermoplastic, UL 94-V0  
 Contact: Copper alloy, 50u" min. Nickel plating  
 Overall; 100u" min. Tin on solder tail;  
 Gold plating on contact area.  
 Hook: Copper alloy, Nickel and Tin plating overall.

ELECTRICAL:

Contact Resistance: 25 mΩ Max.  
 Insulation Resistance: 1000 MΩ Min.  
 Dielectric Withstanding Voltage: 500VRMS Min.



Recommend PC Board Layout



TOLERANCE		Description:	SATA Type B 7P Male Connector, SMD	
.X ±0.30	PROJECTION			
.XX ±0.20	UNITS	mm		
.XXX ±0.10	SHEET	A4	KLS P/N:	L-KLS1-SATA008 B
X. ±2°	Draw:	Daniel		NingBo KLS ELECTRONIC CO.,LTD.
.X ±1°	Check:	Daniel		
.XX ±0.5°	Date	2018-03-01		