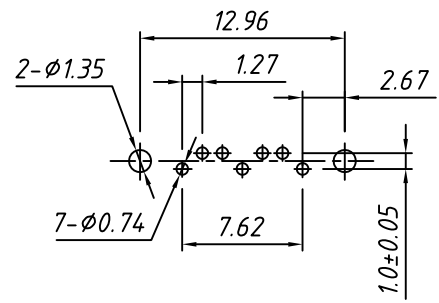
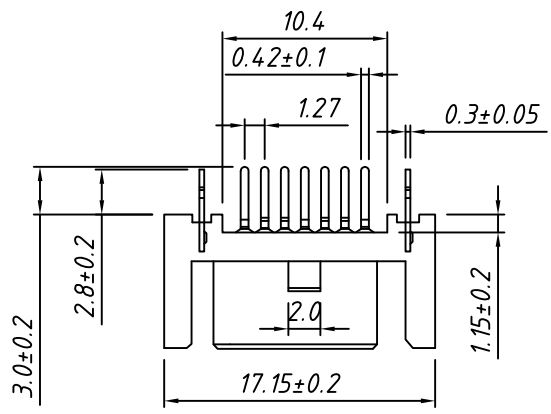


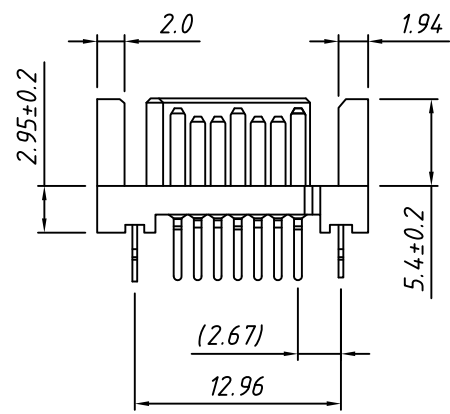
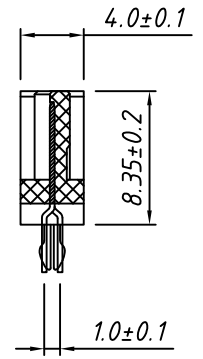
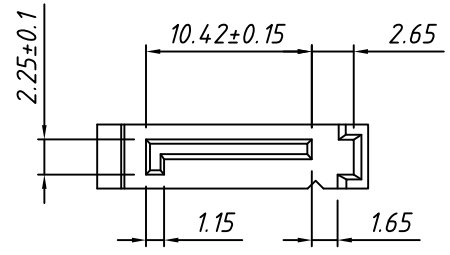
1
RoHS Compliance



MATERIAL:
 Housing: Thermoplastic, UL 94-V0
 Contact: Copper alloy, 50u" min. Nickel plating
 Overall, 100u" min. Tin on solder tail;
 Gold plating on contact area.
 Hook: Copper alloy, Nickel and Tin plating overall.

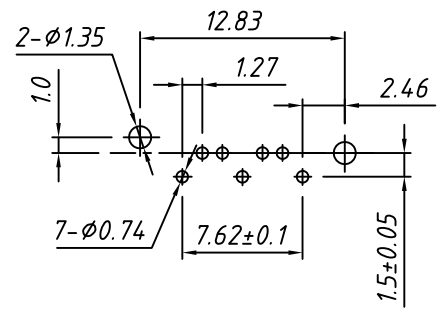
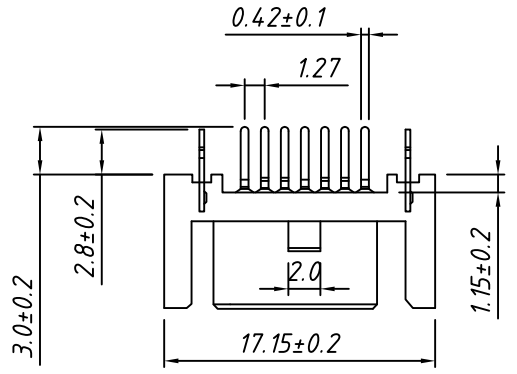
Recommend PC Board Layout
 (Top layer, Thickness: 1.60mm)

ELECTRICAL:
 Contact Resistance: 25 mΩ Max.
 Insulation Resistance: 1000 MΩ Min.
 Dielectric Withstanding Voltage: 500VRMS Min.



TOLERANCE		Description:	
.X ±0.30	PROJECTION		SATA Type A 7P Male Connector, Straight DIP, with Dual Locator
.XX ±0.20	UNITS	mm	
.XXX ±0.10	SHEET	A4	KLS P/N: L-KLS1-SATA006 A
X. ±2°	Draw:	Daniel	NingBo KLS ELECTRONIC CO.,LTD.
.X ±1°	Check:	Daniel	
.XX ±0.5°	Date	2018-03-01	

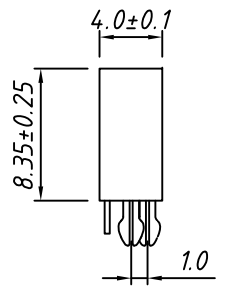
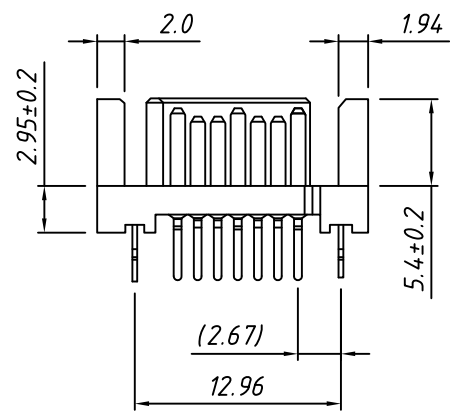
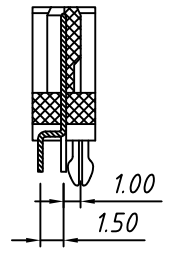
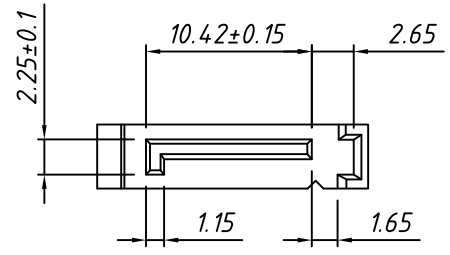
1
RoHS Compliance



Recommend PC Board Layout
(Top layer , Thickness:1.60mm)

MATERIAL:
 Housing:Thermoplastic,UL 94-V0
 Contact:Copper alloy,50u"min. Nickel plating
 Overall,100u" min.Tin on solder tail;
 Gold plating on contact area.
 Hook:Copper alloy,Nickel and Tin plating overall.

ELECTRICAL:
 Contact Resistance: 25 mΩ Max.
 Insulation Resistance:1000 MΩ Min.
 Dielectric Withstanding Voltage: 500VRMS Min.



TOLERANCE		Description:	SATA Type B 7P Male Connector, Straight DIP,with Dual Locator
.X ±0.30	PROJECTION		
.XX ±0.20	UNITS	mm	
.XXX ±0.10	SHEET	A4	KLS P/N: L-KLS1-SATA006 B
X. ±2°	Draw:	Daniel	 NingBo KLS ELECTRONIC CO.,LTD.
.X ±1°	Check:	Daniel	
.XX ±0.5°	Date	2018-03-01	