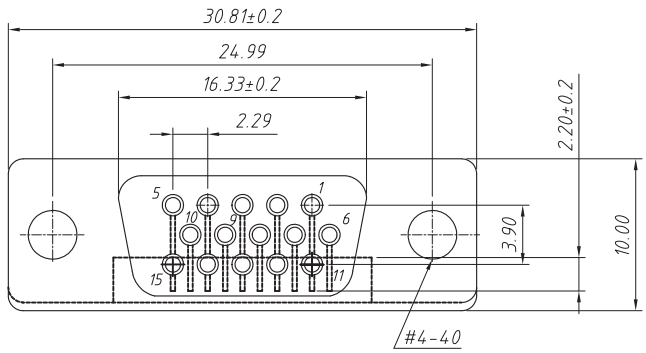
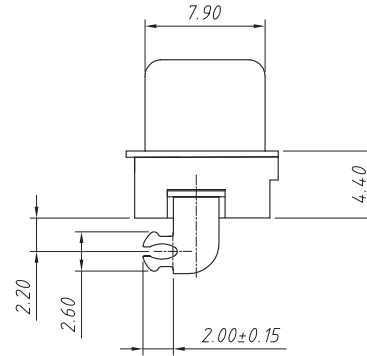
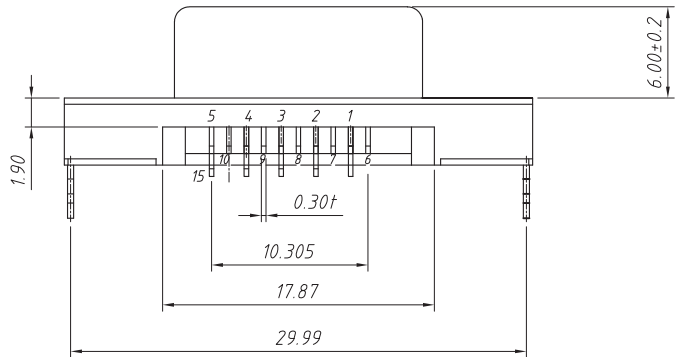
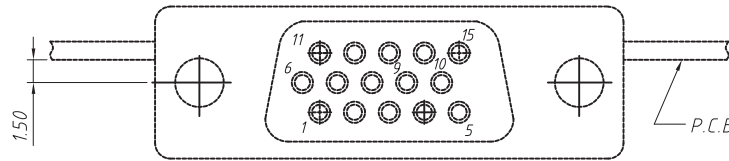


1 RoHS Compliant



Recommended PCB Layout (component side)



Material:  
 Housing: High-Temperature Plastic, UL 94 V-0, Black.  
 Contacts: Copper Alloy 0.30t, Gold Flash On Contact Area Tin Plated On Solder Tail. All over Nickel Plated.  
 Shell: SPCC 0.30t, Ni Plating  
 Scere: SPCC, Ni Plating

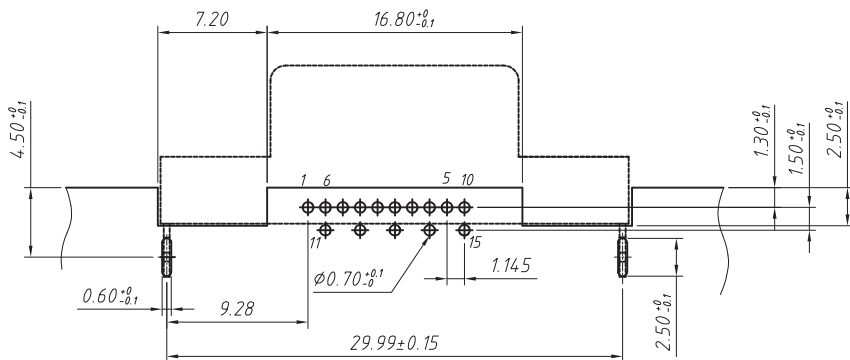
Electrical Characteristics:  
 Contact resistance: 40mΩ MAX  
 Insulation resistance: 1000MΩ Min  
 Dielectric Withstanding Voltage: 500V AC  
 Operating Temperature: -40°C ~ +85°C

Mating Characteristics:  
 Mating Force: 45N Max.  
 Unmated Force: 4.5N Min.  
 Durability: 5000 Cycles.  
 Temperature Range: -40°C ~ +85°C

Order Information

L - KLS1 - 620 - 15 - F - B - N - P

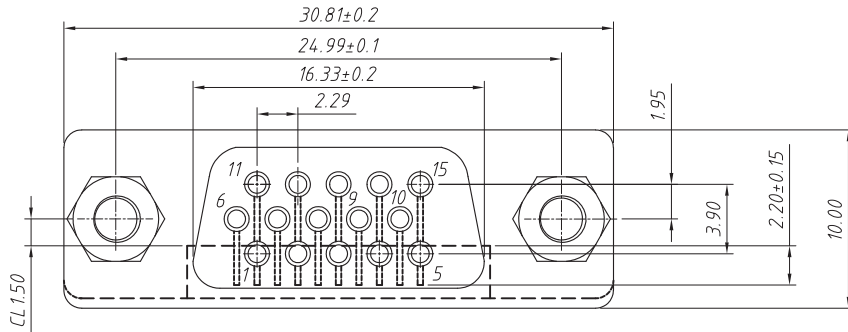
RoHS  
 D-SUB Connector,  
 Slim Type, 15P Female, Mid Mount  
 15-No. of 15 pin  
 Connector type: F-Female  
 Housing Color: B-Black L-Blue  
 N-Nickel plated G-Gold plated  
 P-Positive R-Reverse



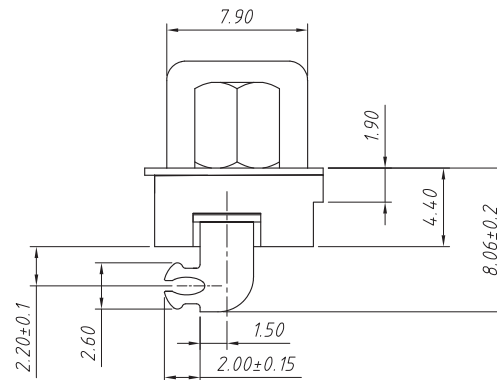
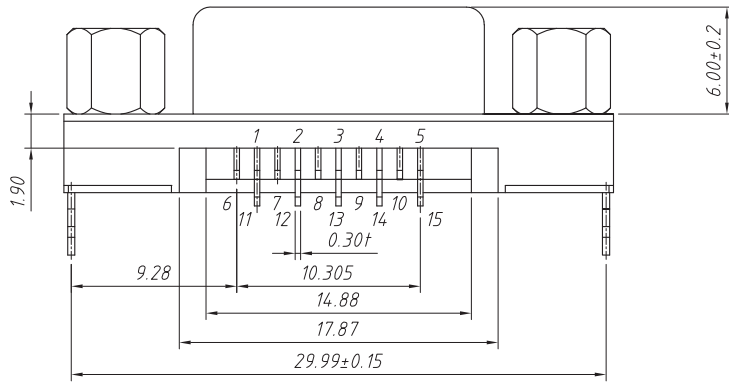
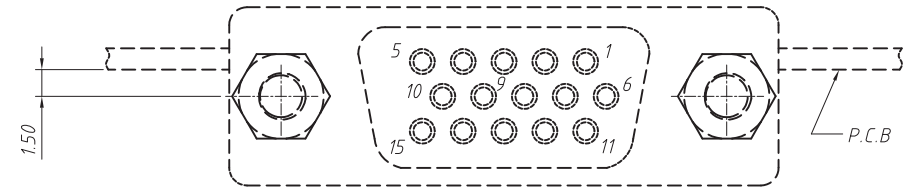
Recommended PCB Layout Tolerance Unspecified ±0.05

GENERAL TOLERANCE	PROJECTION		Description:
X. ±0.30	UNITS	mm	D-SUB Connector, Slim Type, 15P Female, Mid Mount
.X ±0.25	SCALE	1:1	
.XX ±0.20	Draw by:	Daniel	KLS P/N: L-KLS1-620-15-F-B-N-P
ANGLE TOLERANCE	Check by:	Daniel	NingBo KLS ELECTRONIC CO.,L TD.
X. ±3°	Date	2018-03-01	
.X ±2°	SHEET	1 OF 1	
.XX ±1°			

RoHS Compliant



Recommended PCB Layout (component side)



Order Information

L - KLS1 - 620 - 15 - F - B - N - R

RoHS

D-SUB Connector,  
Slim Type, 15P Female, Mid Mount

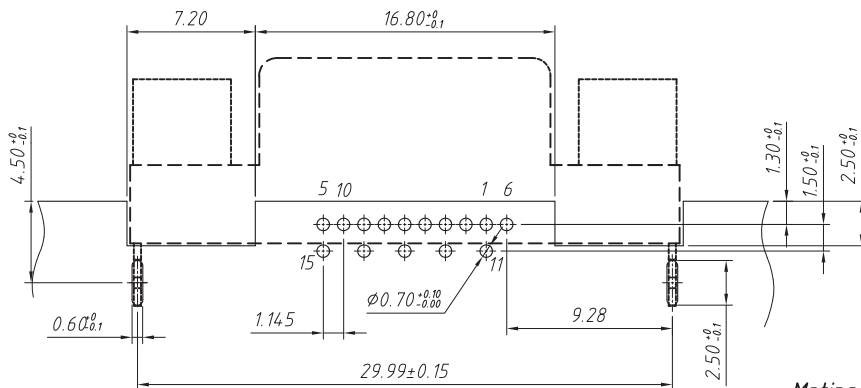
15-No. of 15 pin

Connector type: F-Female

Housing Color: B-Black L-Blue

N-Nickel plated G-Gold plated

P-Positive R-Reverse



Recommended PCB Layout Tolerance Unspecified ±0.05

Mating Characteristics:  
Mating Force: 45N Max.  
Unmated Force: 4.5N Min.  
Durability: 5000 Cycles.

Material:

Housing: High-Temperature Plastic, UL 94V-0, Black.  
Contacts: Copper Alloy 0.30t, Gold Flash On Contact  
Area Tin Plated On Solder Tail.  
Shell: SPCC 0.30t, Ni Plating  
Screw: SPCC, Ni Plating

Electrical Characteristics:

Contact resistance: 40mΩ MAX  
Insulation resistance: 1000MΩ Min, DC250V  
Dielectric Withstanding Voltage: 500V AC  
Operating Temperature: -40°C ~ +85°C

GENERAL TOLERANCE	PROJECTION		Description:
X. ±0.30	UNITS	mm	D-SUB Connector, Slim Type, 15P Female, Mid Mount
.X ±0.25	SCALE	1:1	
.XX ±0.20	Draw by:	Daniel	KLS P/N: L-KLS1-620-15-F-B-N-R
ANGLE TOLERANCE	Check by:	Daniel	NingBo KLS ELECTRONIC CO., L TD.
X. ±3°	Date	2018-03-01	
.X ±2° .XX ±1°	SHEET	1 OF 1	