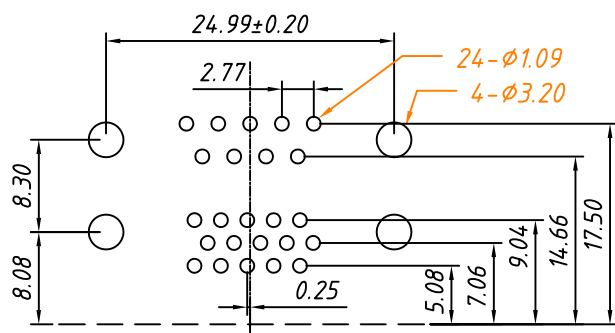
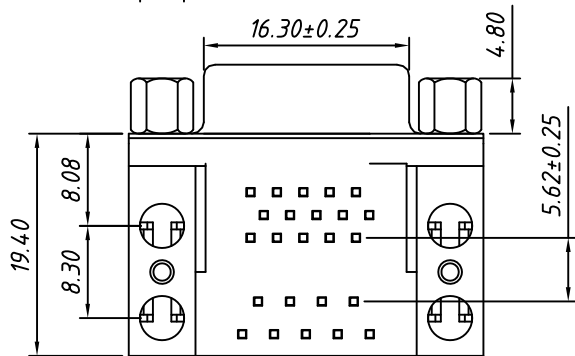
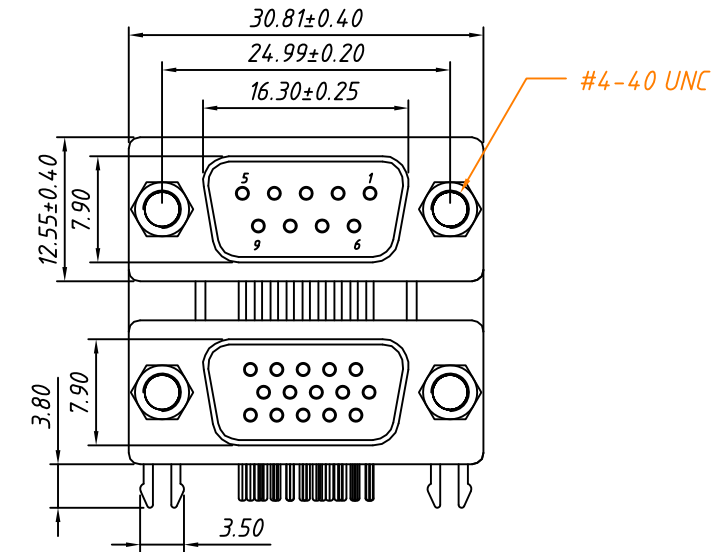
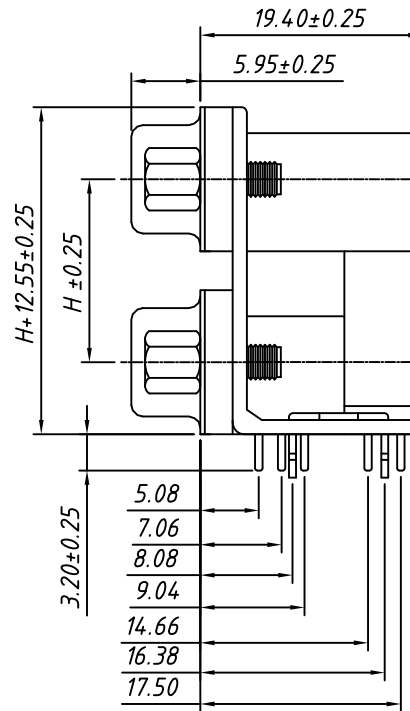


1 RoHS Compliant



RECOMMENDED PCB LAYOUT
TOLERANCE: ±0.05mm



Contact Body Type	
Code	H±0.25
A	15.88
B	19.02

Material:
Housing: PBT+30% Glass filled, UL94V-0
Contacts: Brass, Gold Plating
Shell: Steel, Nickel Plating

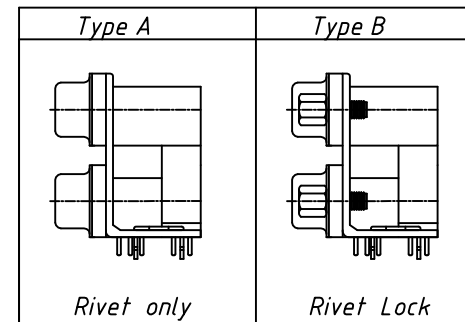
Electrical Characteristics:
Current Rating: 3 AMP
Insulator Resistance: 1000MΩ Min. at DC 500V
Withstanding Voltage: 500V AC (rms) for 1 minute
Contact Resistance: 20mΩ Max. Initial
Operating Temperature: -55°C ~ +105°C

Order Information

L-KLS1-117- F F - X X 0

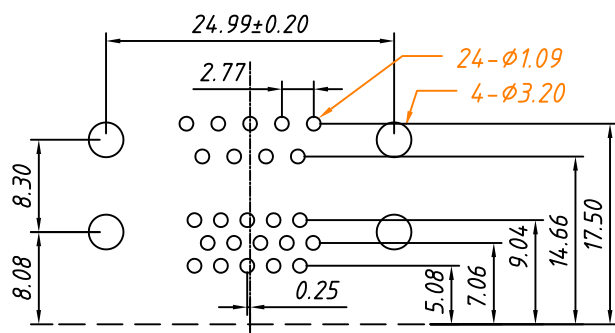
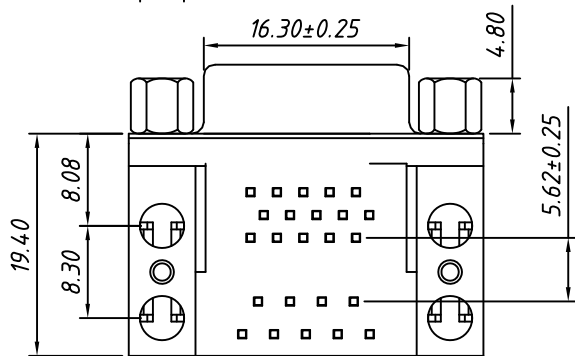
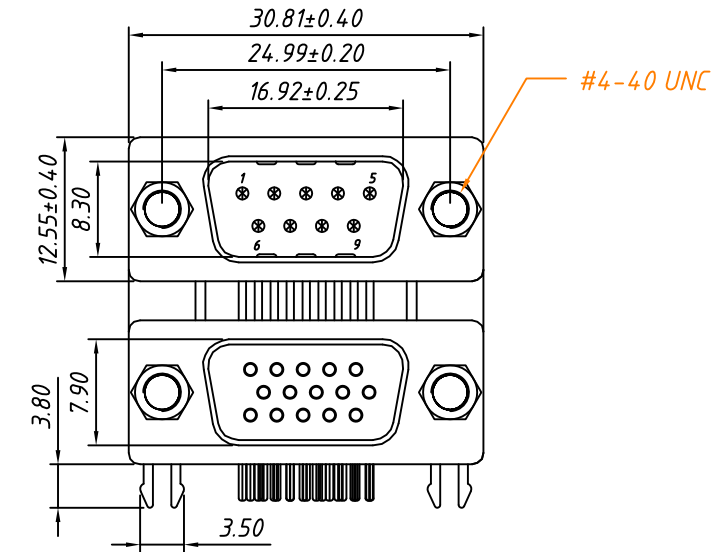
RoHS
D-SUB Connector,
Stacked type
UP Connector: F-Female
Down Connector: F-Female

Contact Body type:
A: H=15.88mm B: H=19.02mm
PROCESS OPTION:
A: Rivet Only
B: Rivet Lock
Housing Color: 0-Black/Blue

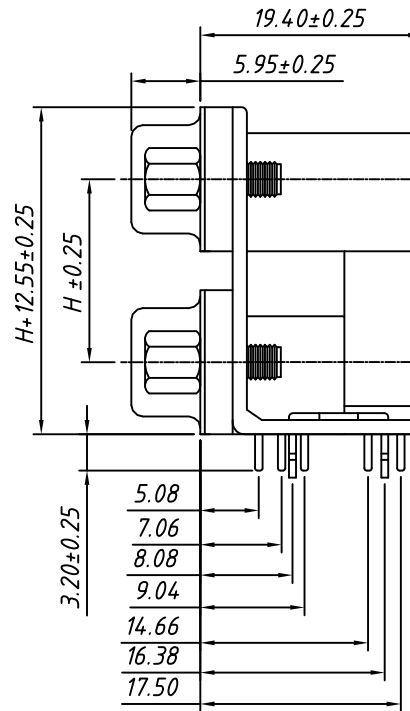


GENERAL TOLERANCE	PROJECTION		Description:
X. ±0.30	UNITS	mm	D-SUB Connector, 9P Female +15P Female Stacked type
.X ±0.25	SCALE	1:1	
.XX ±0.20	Draw by:	Daniel	KLS P/N: L-KLS1-117-FF-XX0
ANGLE TOLERANCE	Check by:	Daniel	NingBo KLS ELECTRONIC CO.,L TD.
X. ±3°	Date	2018-03-01	
.X ±2° .XX ±1°	SHEET	1 OF 1	

1 RoHS Compliant



RECOMMENDED PCB LAYOUT
TOLERANCE: ±0.05mm



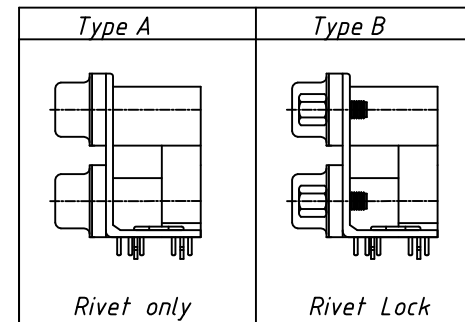
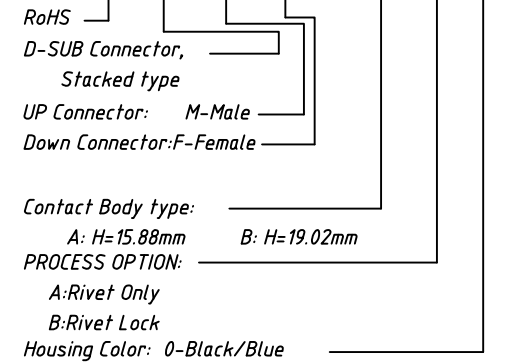
Contact Body Type	
Code	H±0.25
A	15.88
B	19.02

Material:
Housing: PBT+30% Glass filled, UL94V-0
Contacts: Brass, Gold Plating
Shell: Steel, Nickel Plating

Electrical Characteristics:
Current Rating: 3 AMP
Insulator Resistance: 1000MΩ Min. at DC 500V
Withstanding Voltage: 500V AC (rms) for 1 minute
Contact Resistance: 20mΩ Max. Initial
Operating Temperature: -55°C ~ +105°C

Order Information

L-KLS1-117- M F - X X 0



GENERAL TOLERANCE	PROJECTION		Description:
X. ±0.30	UNITS	mm	D-SUB Connector, 9P Male + 15P Female Stacked type
.X ±0.25	SCALE	1:1	
.XX ±0.20	Draw by:	Daniel	KLS P/N: L-KLS1-117-MF-XX0
ANGLE TOLERANCE	Check by:	Daniel	NingBo KLS ELECTRONIC CO.,L TD.
X. ±3°	Date	2018-03-01	
.X ±2°	SHEET	1 OF 1	