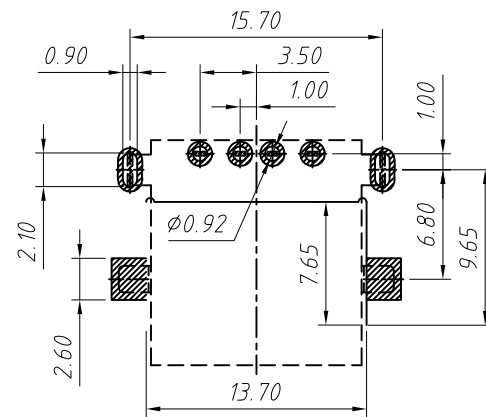
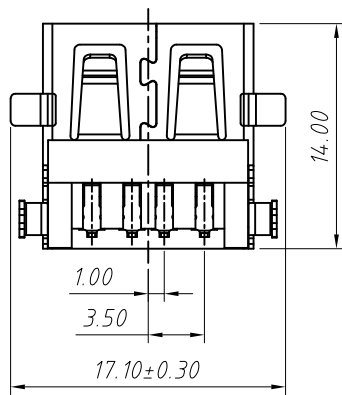
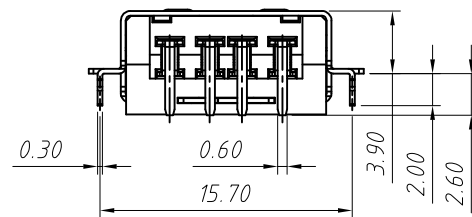
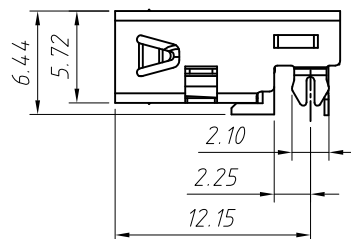
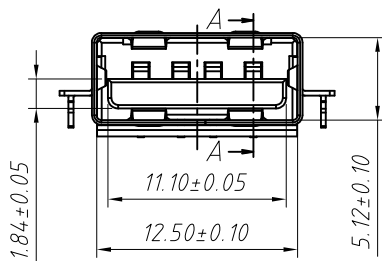


SECTION: A-A



RECOMMENDED PCB LAYOUT
TOLERANCE: ±0.05

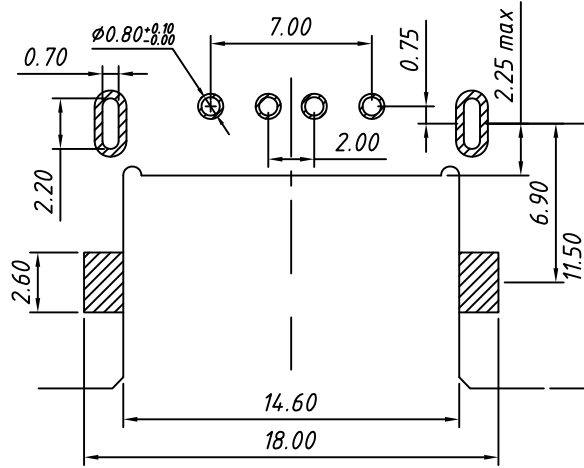
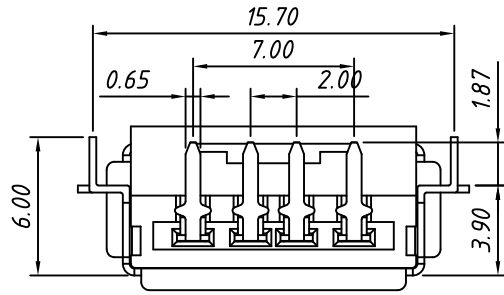
Material
 Housing: Hing Temperature Thermoplastic,
 UL 94V-0 LCP, Black/White.
 Contact: Copper Alloy C2680.
 Shell: Copper Alloy C2680/SPCC.

Finish:
 Contact: Plated Gold In Mating Area,
 Tin On Solder Tails.
 Shell: Nickel Plating.

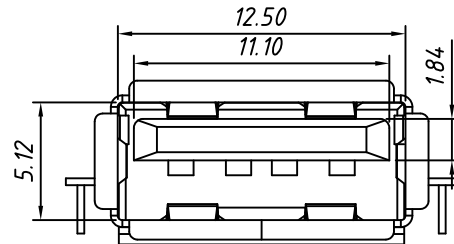
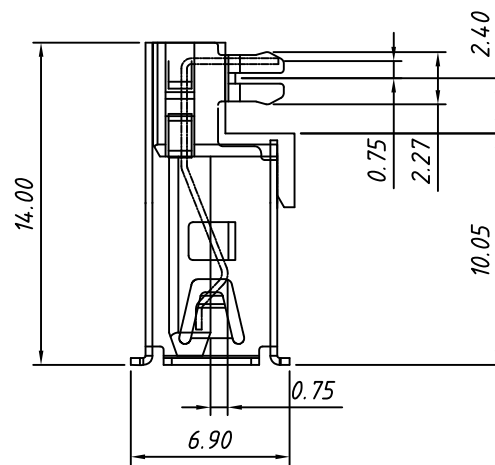
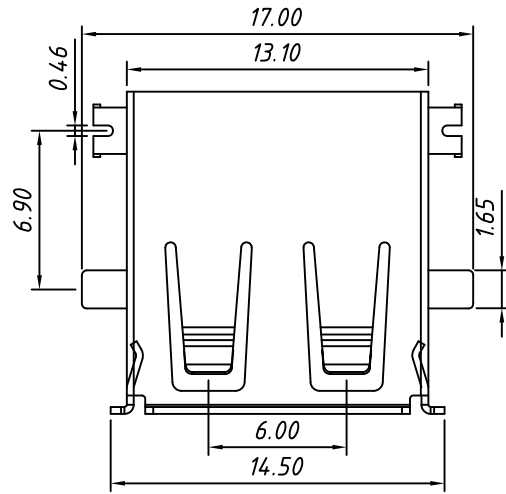
Electrical:
 Current Rating: 1.5A/Contact Terminal.
 Voltage Rating: 30V DC
 Contact Resistance: 30mΩ Max.
 Dielectric Withstanding Voltage:
 500 V AC AT Sea Level.
 Insulation Resistance: 1000MΩ Min.
 Connector Mate and Unmated Force
 Mate Force: 3.75kgf Max.
 Unmated Force: 1.02kgf Min.
 Terminal Retention: 1.2kgf Min.

Order Information
 L-KLS1- 1811 - B - R
 RoHS
 USB 2.0 A Female
 Color: W=WHITE
 B=BLACK
 Packing: P=Tray
 R= Tape on REEL

GENERAL TOLERANCE	PROJECTION		Description:
X. ±0.50	UNITS	mm	CONN COM TYPE A USB Female MID MOUNT Reverse
.X ±0.25	SCALE	1:1	
.XX ±0.10	Draw by:	Jenny	KLS P/N: L-KLS1-1811-X-X
ANGLE TOLERANCE	Check by:		NingBo KLS ELECTRONIC CO.,L TD.
X. ±5°	Date	2018-03-01	
.X ±3° .XX ±2°	SHEET	1 OF 1	



RECOMMENDED PCB LAYOUT
TOLERANCE: ± 0.05



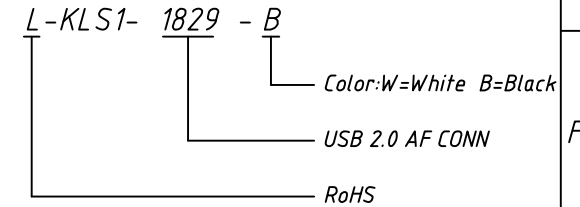
Material
 Housing: Thermoplastic plastics.
 Terminals: Copper Alloy. Gold plated in contact area;
 Tin plated in termination Nickel plated overall.
 Shell: Copper Alloy. Nickel plated overall.

Electrical:
 Rating Current: 1.5 Ampere.
 Rating Voltage: 30V Max.
 Contact Resistance: 30m Ω Mill.
 Insulation Resistance: 1000M Ω Min.

Mechanical Characteristics:
 Connector Mating force: 35N Max (3.57Kgf)
 Connector Unmating force: 10N Min (1.02Kgf)
 Durability: 1500 Cycles.

Environment Characteristics:
 Operating temperature: -0 °C to +50 °C

Order Information



GENERAL TOLERANCE	PROJECTION		Description:
X. ± 0.50	UNITS	mm	CONN COM TYPE A USB Female MID MOUNT H3.9mm
.X ± 0.25	SCALE	1:1	
.XX ± 0.10	Draw by:	Jenny	KLS P/N: L-KLS1-1829-X
ANGLE TOLERANCE	Check by:		NingBo KLS ELECTRONIC CO.,L TD.
X. $\pm 5^\circ$	Date	2018-03-01	
.X $\pm 3^\circ$	SHEET	1 OF 1	
.XX $\pm 2^\circ$			