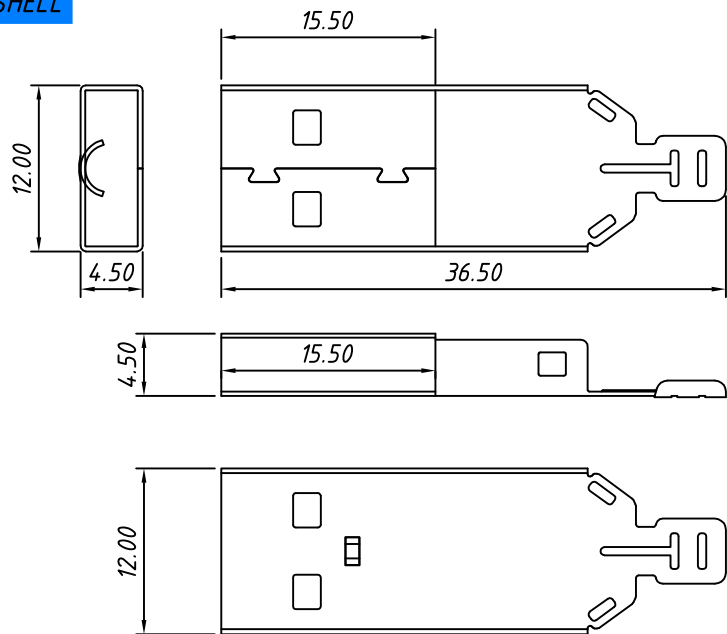
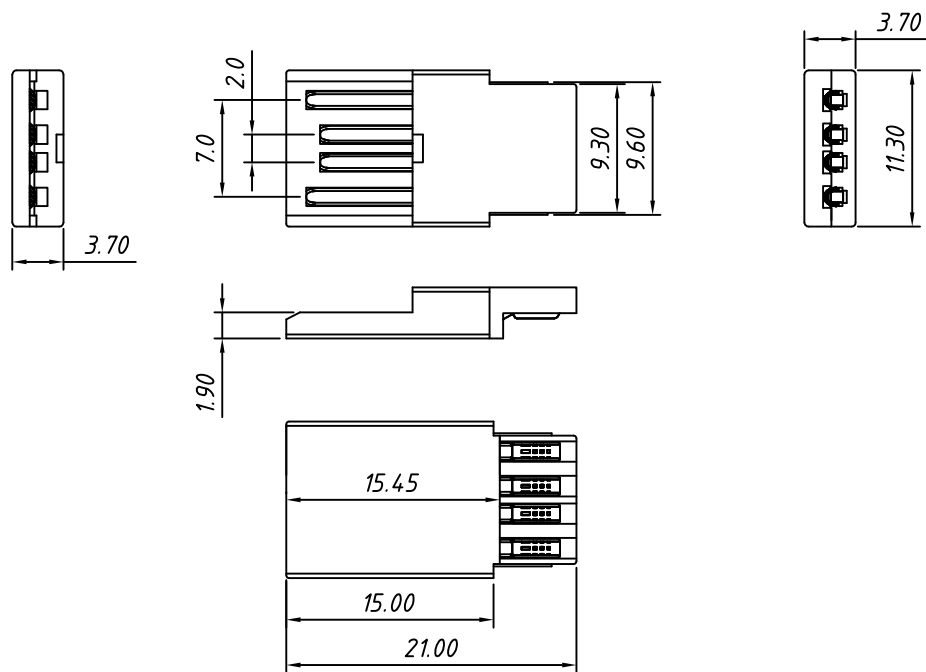
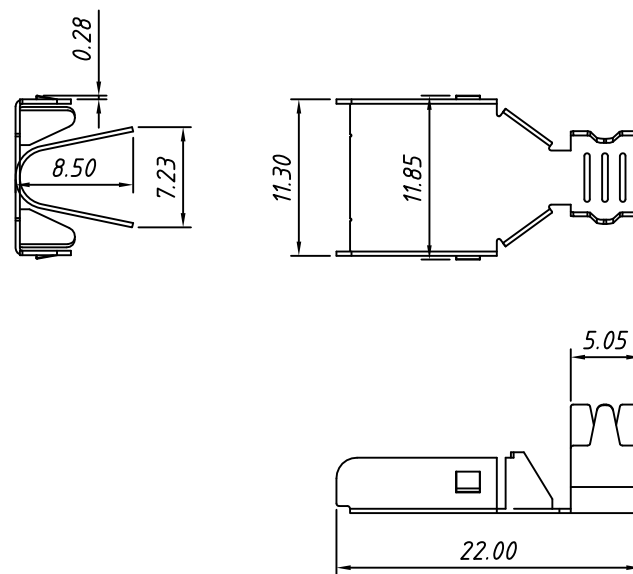


FRONT SHELL



BACK SHELL



Material:

Isulation:PBT,UL94V-0.
Contact:Brass (T=0.18mm).
Shell:SPCC (T=0.30mm).

Electrical:

Contact Current Rating: 1.8Amperes for contacts1&5,
0.5A for contacts 2 3&4.

Dielectric Withstanding Voltage: AC 100V r.m.s.

Insulation Resistance:100MΩ Min.

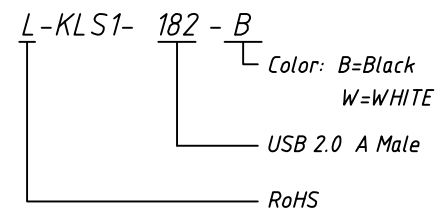
Contact Resistance:30mΩ Max.

Connector Insertion Force:35N Max.

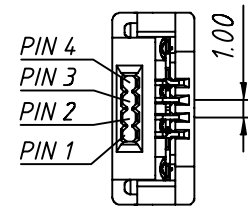
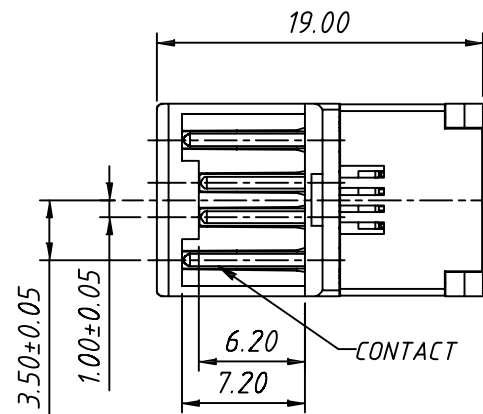
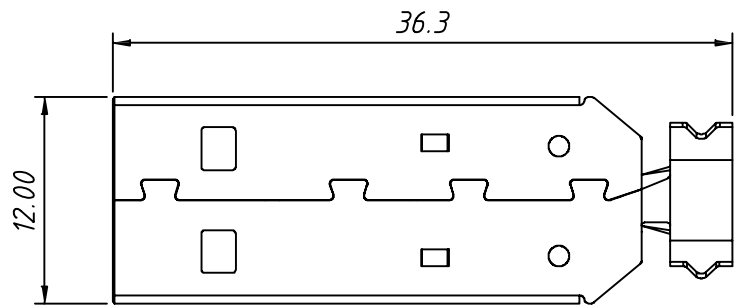
Connector Separation Force:8N Min.

Operating Temperature:-55°C TO +85°C.

Order Information

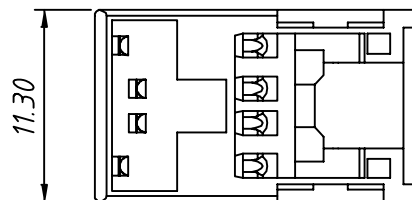
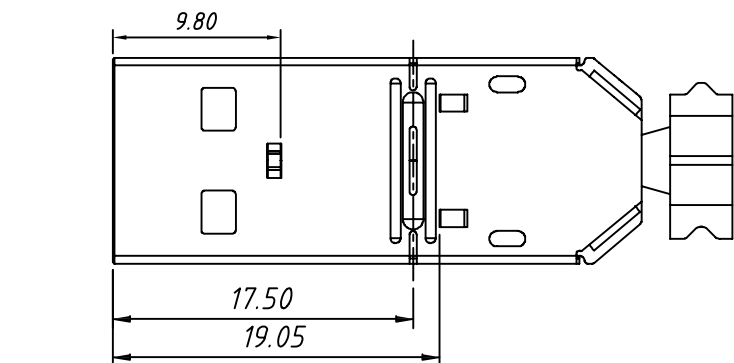
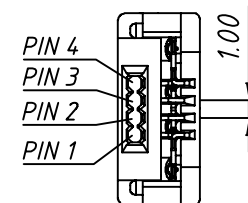
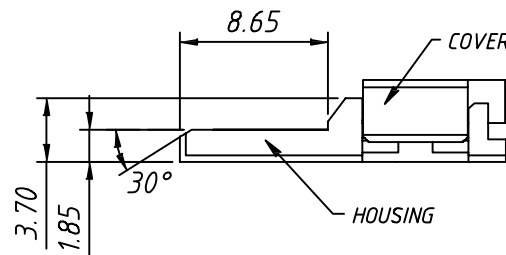
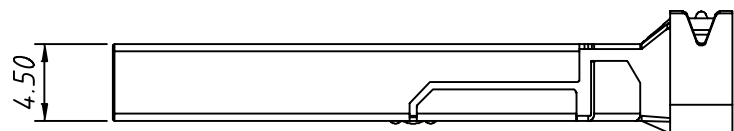


GENERAL TOLERANCE	PROJECTION		Description:
X. ±0.50	UNITS	mm	CONN PLUG USB A-MALE SOLDER
.X ±0.25	SCALE	1:1	
.XX ±0.10	Draw by:	Jenny	
ANGLE TOLERANCE	Check by:		KLS P/N: L-KLS1-182-X
X. ±5°	Date	2018-03-01	NingBo KLS ELECTRONIC CO.,L TD.
.X ±3°	SHEET	1 OF 1	
.XX ±2°			



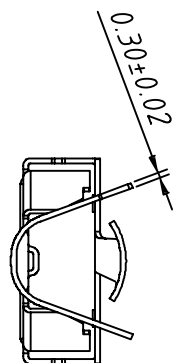
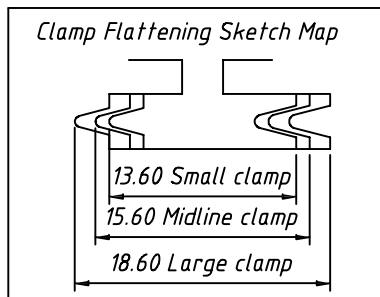
Material
 Housing:PBT,Black/White.
 Terminal:Brass.Gold plated
 Shell:SPCC.Nickel plated

Electrical:
 Contact Current Rating:
 1.5Amperes for contacts1&5,
 0.5A for contacts 2 3&4.
 Dielectric Withstanding Voltage:
 AC 100V r.m.s.
 Insulation Resistance:100MΩ Min.
 Contact Resistance:30mΩ Max.



Order Information

L-KLS1- 1849 - B
 Color:W=White
 B=Black
 USB 2.0 A Male
 RoHS



GENERAL TOLERANCE	PROJECTION		Description:
X. ±0.50	UNITS	mm	CONN PLUG USB A-MALE IDC
.X ±0.25	SCALE	1:1	
.XX ±0.10	Draw by:	Jenny	KLS P/N: L-KLS1-1849-X
ANGLE TOLERANCE	Check by:		NingBo KLS ELECTRONIC CO.,LTD.
X. ±5°	Date	2018-03-01	
.X ±3°	SHEET	1 OF 1	
.XX ±2°			