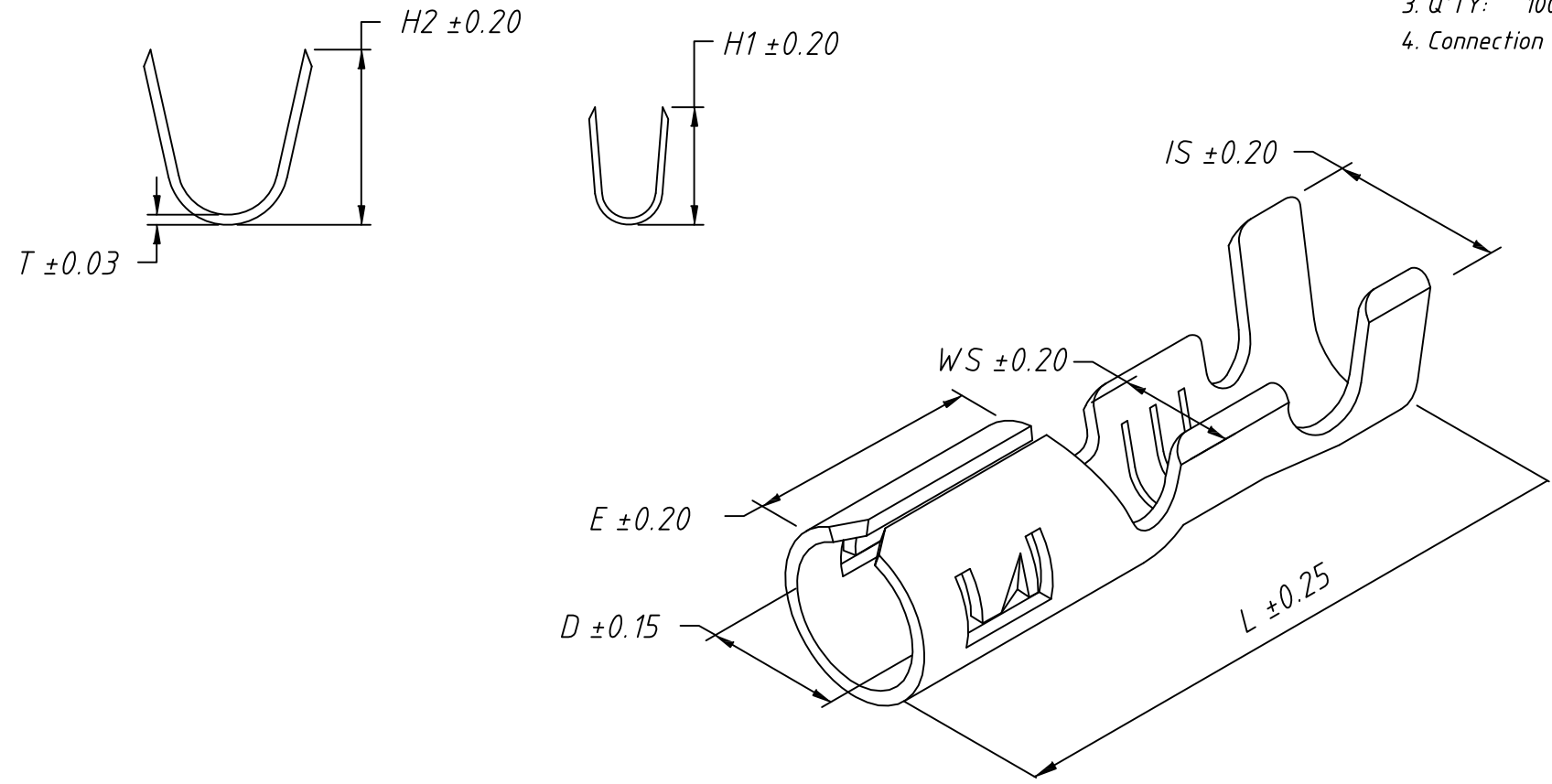



1
RoHS Compliant

Note:
 1. Appearance: Terminal cannot be corrected, scratched or oxidized
 2. Material:
 Brass C2680, Tin plating
 3. Q'TY: 10000PCS/REEL
 4. Connection Table: KLS8-SHM01



L-KLS8-SHF010302	Brass	Tin	3.96	6.20	16.0	0.35	3.20	3.20	4.90	5.00	18~22	10000
L-KLS8-SHF010401	Brass	Tin	3.50	6.50	17.3	0.40	3.60	3.60	5.30	5.00	16~20	10000
P/N	Material	Plating	D	E	L	T	H1	WS	H2	IS	AWG	Q'TY
Dimension(mm)											Wire Range	Q'TY

TOLERANCE		PROJECTION	Description:		
0 - 3mm	±0.10	UNITS	mm		
3 - 6mm	±0.15	SHEET SIZE	A4		
6 - 10mm	±0.20	KLS P/N: KLS8-SHF01			
10 - 30mm	±0.25	 NingBo KLS ELECTRONIC CO.,L TD.			
Draw:	Daniel			ANGLE	±3°
Check:	Daniel			Data:	2019-04-10