

**Material**

Housing: PBT UL 94V-0, Blue

Terminal :C5191R-H T=0.20mm,

Nu" Gold Plated On Contact Area,

100-120U" Matte-Tin Plated On Solder Area

50-80U" Nickel Underplated Overall.

Shell : SPCC, T=0.30mm,Plating Nickel 80~120u".

**Electrical**

Contact Resistance: 30milli-OHMS MAX.

Dielectric Withstanding Voltage: 500V AC FOR 1MIN.

Insulation Resistance: 1000Mega-OHMS MIN.

**Mechanical**

Operating Temperature:-55°C TO +85°C.

Insertion Force: 35N(3.57KGF) MAX.

Extraction Force: 10~35N(1.02~3.57KGF)MIN.


**Order Information**

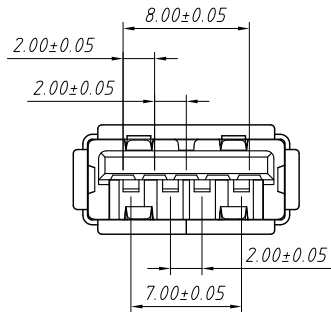
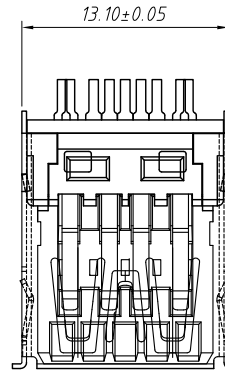
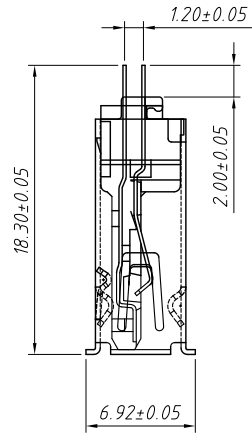
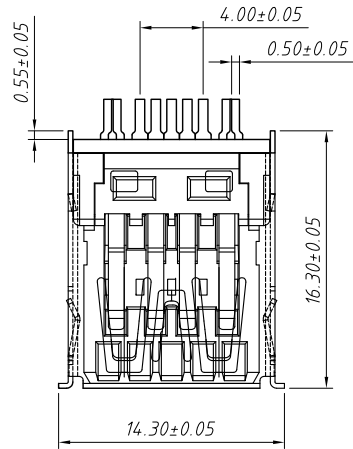
L-KLS1- 3014 - L

Color: L:Blue

USB AF 3.0

RoHS

<b>GENERAL TOLERANCE</b>		<b>ANGLE TOLERANCE</b>		<b>PROJECTION</b>	 Description:	
.X ±0.60		.X ±5°		UNITS		USB 3.0 Type A
.X ±0.38		.X ±3°		SHEET SIZE		
.XX ±0.25		.XX ±2°		KLS P/N:	KLS1-3014	
Draw by: Date		2018-03-01		 NingBo KLS ELECTRONIC CO.,LTD.		
Check by: Date		2018-03-01				
SCALE		SHEET		OF		



**Material**

Housing: PBT,UL 94V-0

Shell :SPCC,Cu,Cu:80U"Min,Ni:80U"Min

Terminal :4P Phosphor Bronze ;5P Brass  
Ni:50U"Min / Sn:100U"Min

**Electrical**

Voltage Current Rating:2AMP,30V AC

Insulator Resistance: 100MΩ Min

Contact Resistance: 50mΩ Max

Withstanding Voltage: 300V AC

**Mechanical**

Operating Temperature:-55°C TO +85°C.

Mating Force: 35N MAX

Unmating Force: 10N MIN.

**Order Information**

L-KLS1- 3016 - L

Color: L:Blue

USB AF 3.0

RoHS

GENERAL TOLERANCE	ANGLE TOLERANCE	PROJECTION		Description:
X. ±0.60	X. ±5°	UNITS	mm	USB 3.0 Type A Female CONN. Board EDGE KLS1-3016
.X ±0.38	.X ±3°	SHEET SIZE	A4	
.XX ±0.25	.XX ±2°		KLS P/N:	

Draw by: Date 2018-03-01

Check by: Date 2018-03-01

SCALE SHEET OF



NingBo KLS ELECTRONIC CO.,LTD.