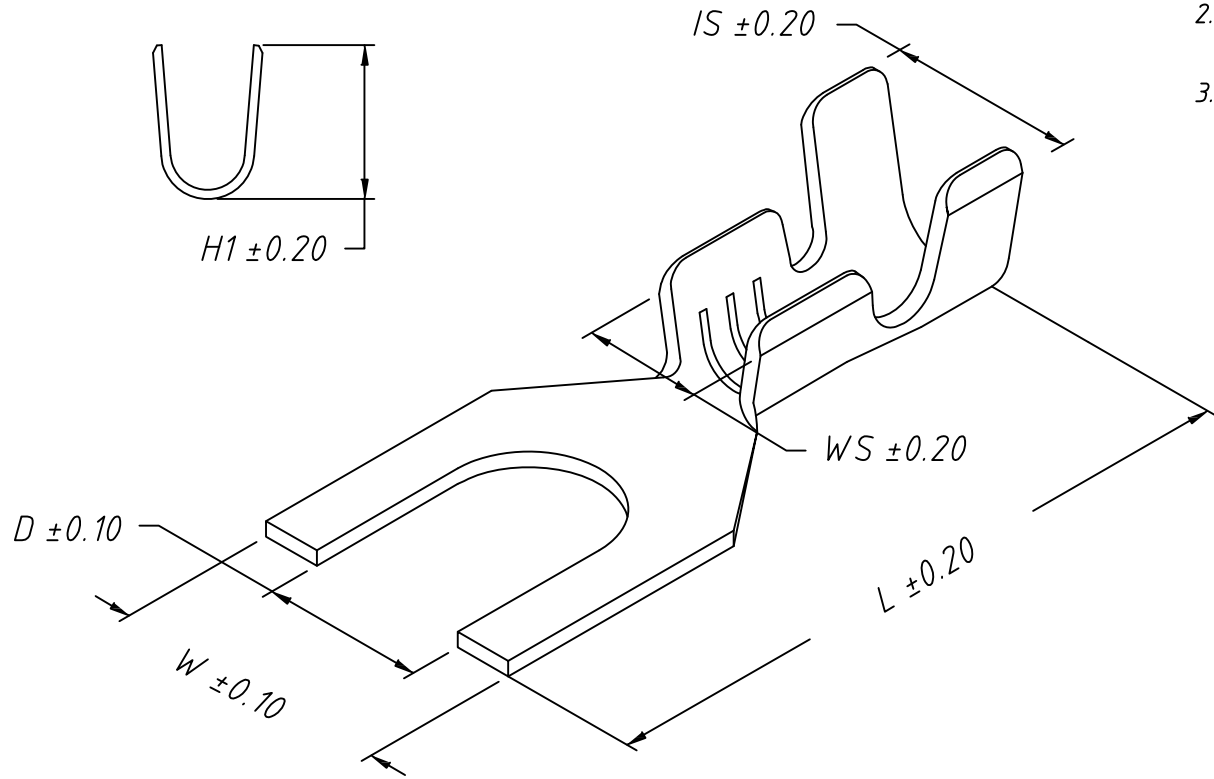
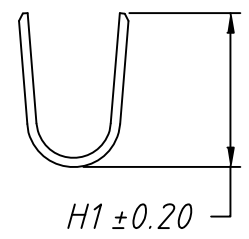
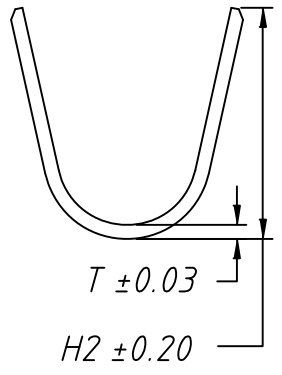



1 RoHS Compliant

Note:
 1. Appearance: Terminal cannot be corrected, scratched or oxidized
 2. Material: Brass C2680, Tin plating
 3. Q'TY: 10000PCS/REEL



L-KLS8-01117-4202	Brass	Tin	4.20	7.20	6.30	16.70	0.40	3.30	3.00	4.60	4.60	16~18	10000
L-KLS8-01117-4201	Brass	Tin	4.20	7.20	6.30	16.70	0.40	3.00	3.00	3.50	3.50	20~22	10000
L-KLS8-01117-3702	Brass	Tin	3.70	7.20	6.30	16.70	0.40	3.30	3.20	4.60	4.60	16~18	10000
L-KLS8-01117-3701	Brass	Tin	3.70	7.20	6.30	16.70	0.40	3.00	3.00	3.50	3.50	18~22	10000
L-KLS8-01117-3202	Brass	Tin	3.20	7.20	6.30	16.70	0.40	3.30	3.20	4.60	4.60	16~18	10000
L-KLS8-01117-3201	Brass	Tin	3.20	7.20	6.30	16.70	0.40	3.00	3.00	3.50	3.50	20~22	10000
P/N	Material	Plating	D	W	E	L	T	H1	WS	H2	IS	AWG	Q'TY
Dimension(mm)												Wire Range	Q'TY

TOLERANCE		PROJECTION	Description:
0 - 3mm	± 0.10	UNITS	mm
3 - 6mm	± 0.15	SHEET SIZE	A4
6 - 10mm	± 0.20	KLS P/N: KLS8-01117	
10 - 30mm	± 0.25	KLS P/N: KLS8-01117	
Draw: Daniel	ANGLE $\pm 3^\circ$	 NingBo KLS ELECTRONIC CO.,L TD.	
Check: Daniel	Data: 2019-04-10		