

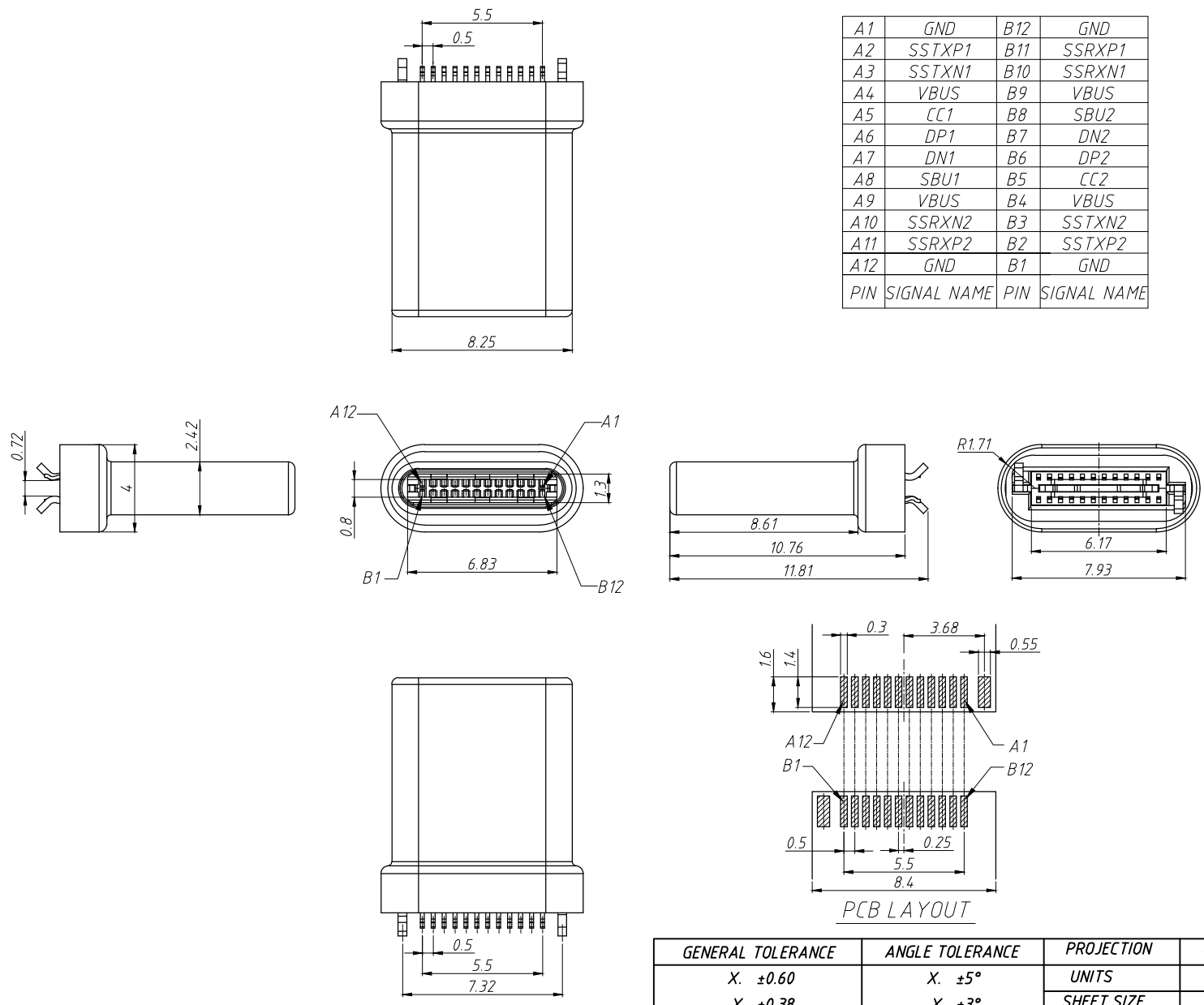
A1	GND	B12	GND
A2	SSTXP1	B11	SSRXP1
A3	SSTXN1	B10	SSRXN1
A4	VBUS	B9	VBUS
A5	CC1	B8	SBU2
A6	DP1	B7	DN2
A7	DN1	B6	DP2
A8	SBU1	B5	CC2
A9	VBUS	B4	VBUS
A10	SSRXN2	B3	SSTXN2
A11	SSRXP2	B2	SSTXP2
A12	GND	B1	GND
PIN	SIGNAL NAME	PIN	SIGNAL NAME

Material
Housing:PA9T,Black
Contact:Copper Alloy,Gold Flash/AU 3u" /NI Plated
Latch:Stainless Steel,NI Plated
Spring:Stainless Steel
Shell:Stainless Steel,NI Plated

Electrical
Current Rating: 3.0A Max
Voltage: 100 VAC
Contact Resistance: 40 Millionhm Max
Insulation Resistance: 100 Megohms Min.

Mechanical
Operating Temperature:-30°C TO +85°C.
Insertion Force : 5n ~ 20n
Unmating Force: 8n ~ 20n

Order Information
L-KLS1- 5439 - B
Color:B=Black
USB C M TYPE
RoHS



GENERAL TOLERANCE		ANGLE TOLERANCE		PROJECTION	Description: USB C M TYPE KLS P/N: KLS1-5439
X. ±0.60		X. ±5°		UNITS	
.X ±0.38		.X ±3°		mm	
.XX ±0.25		.XX ±2°		SHEET SIZE	A4
Draw by: Date				2018-03-01	
Check by: Date				2018-03-01	
SCALE	SHEET		OF		 NingBo KLS ELECTRONIC CO.,L TD.
Autodesk					