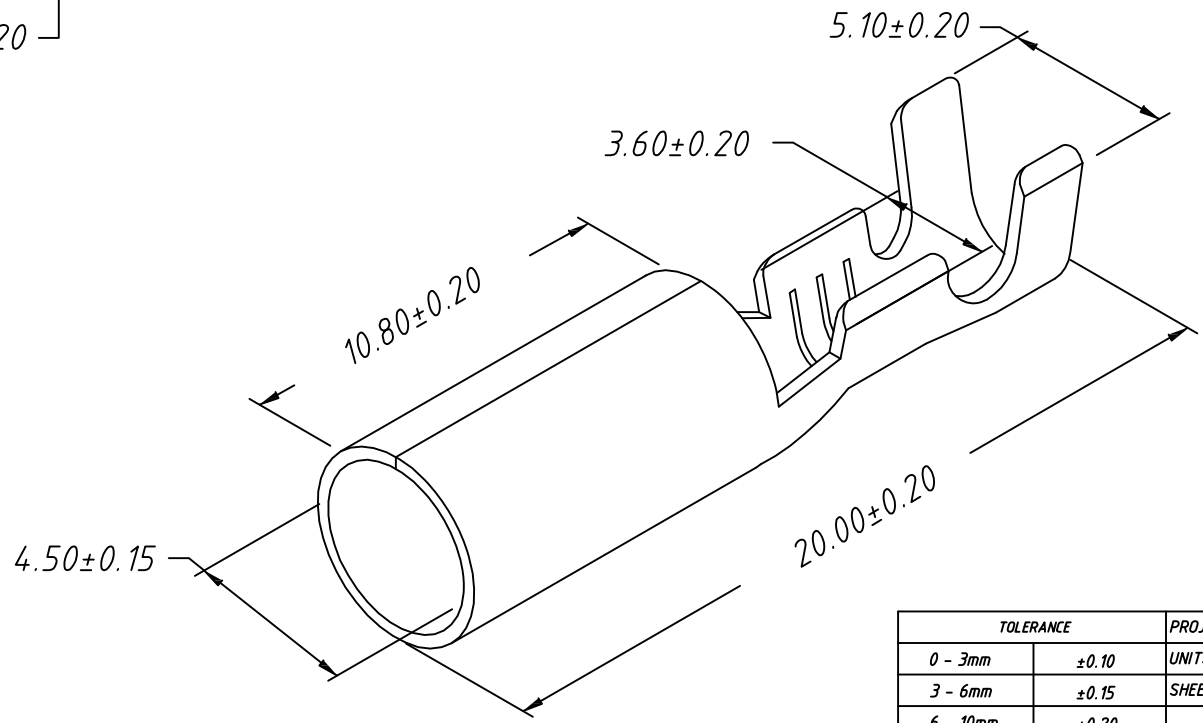
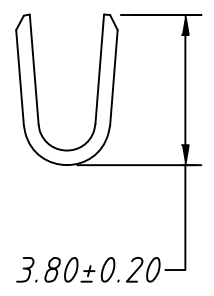
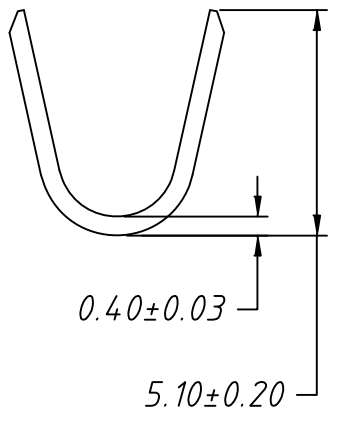


1  
RoHS Compliant



Note:  
 1. Appearance: Terminal cannot be corrected, scratched or oxidized  
 2. Material:  
     Brass C2680, T=0.40mm, Tin plating  
 3. Q'TY: 5000PCS/REEL  
 4. Connection Table: KLS8-SHM02  
 5. Wire Range: 14 ~ 18AWG

TOLERANCE		PROJECTION	Description:
0 - 3mm	±0.10	UNITS	mm
3 - 6mm	±0.15	SHEET SIZE	A4
6 - 10mm	±0.20	KLS P/N: KLS8-SHF0204.01	
10 - 30mm	±0.25		

Draw: Daniel ANGLE ±3°  
 Check: Daniel Data: 2019-04-10

 NingBo KLS ELECTRONIC CO.,LTD.