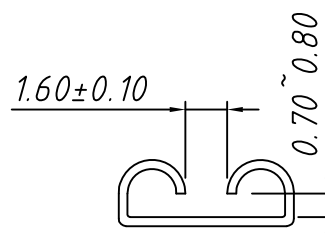
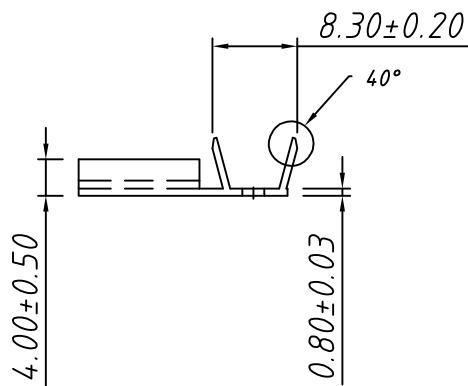
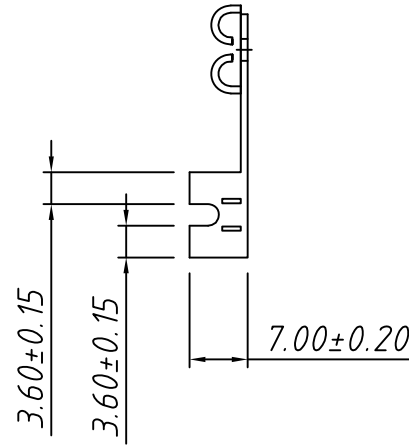
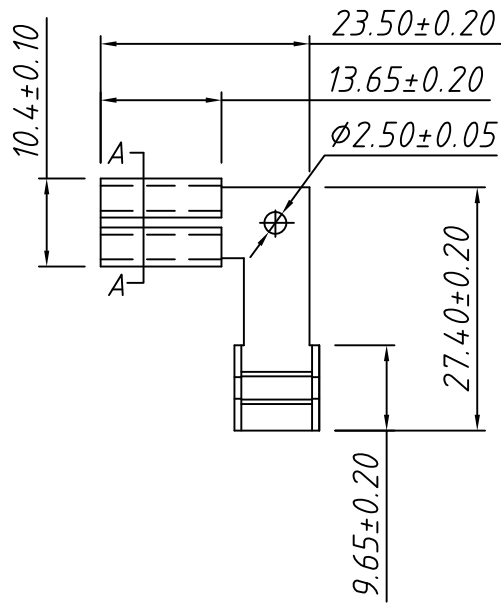



RoHS Compliant



SECTION A-A  
(2:1)

Note:

1. Appearance: Terminal cannot be corrected, scratched or oxidized
2. Material: Brass C2680, T=0.80mm, Nickel plating
3. Q'TY: 1500PCS/REEL
4. Connectoin Table: W8.00×T0.80mm
5. Wire Range: 10AWG

TOLERANCE		PROJECTION	Description:		
0 - 3mm	±0.10	UNITS	mm		
3 - 6mm	±0.15	SHEET SIZE	A4		
6 - 10mm	±0.20	KLS P/N: KLS8-EFL02-3120800			
10 - 30mm	±0.25	 NingBo KLS ELECTRONIC CO.,L TD.			
Draw:	Daniel			ANGLE	±3°
Check:	Daniel			Data:	2019-04-10

312 Type FLAG

Female TERM. for Cable



NingBo KLS ELECTRONIC CO.,L TD.