

1
RoHS Compliant

Note:

1. Appearance: Terminal cannot be corrected, scratched or oxidized

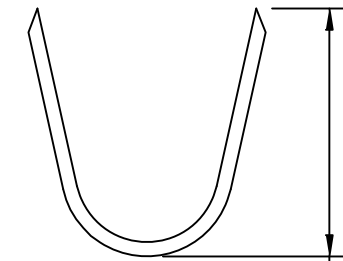
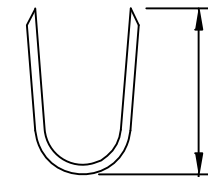
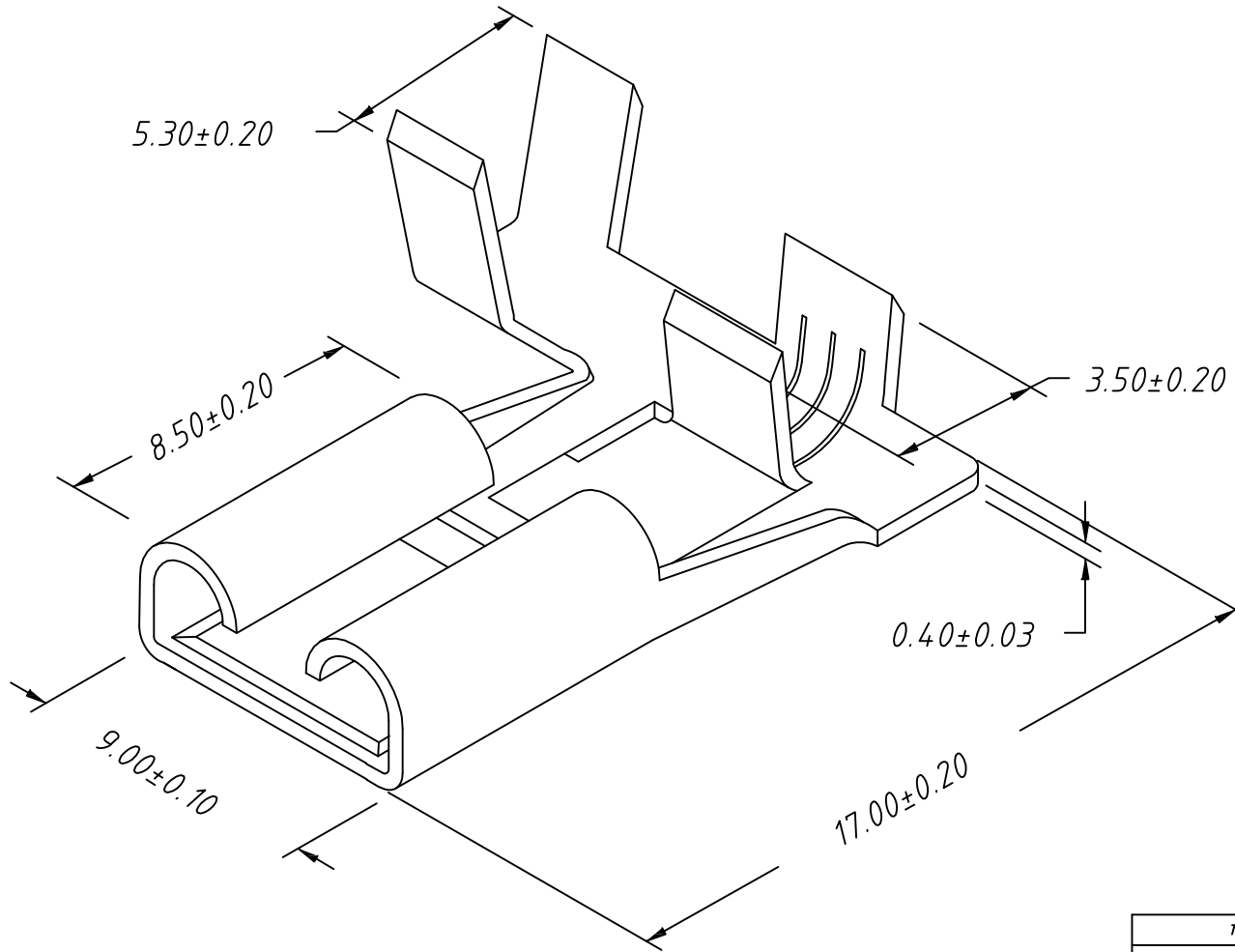
2. Material:

Brass C2680, T=0.40mm, Tin plating

3. Q'TY: 2000PCS/REEL

4. Connectoin Table: W 7.90×T 0.80mm

5. Wire Range: 14~18AWG



TOLERANCE		PROJECTION	Description:
0 - 3mm	±0.10	UNITS	mm
3 - 6mm	±0.15	SHEET SIZE	A4
6 - 10mm	±0.20	KLS P/N: KLS8-EFR01-3120800	
10 - 30mm	±0.25	312 Type FLAG	
Draw: Daniel		ANGLE	±3°
Check: Daniel		Data:	2019-04-10



NingBo KLS ELECTRONIC CO.,L TD.