

RoHS Compliant

Note:

1. Appearance: Terminal cannot be corrected, scratched or oxidized

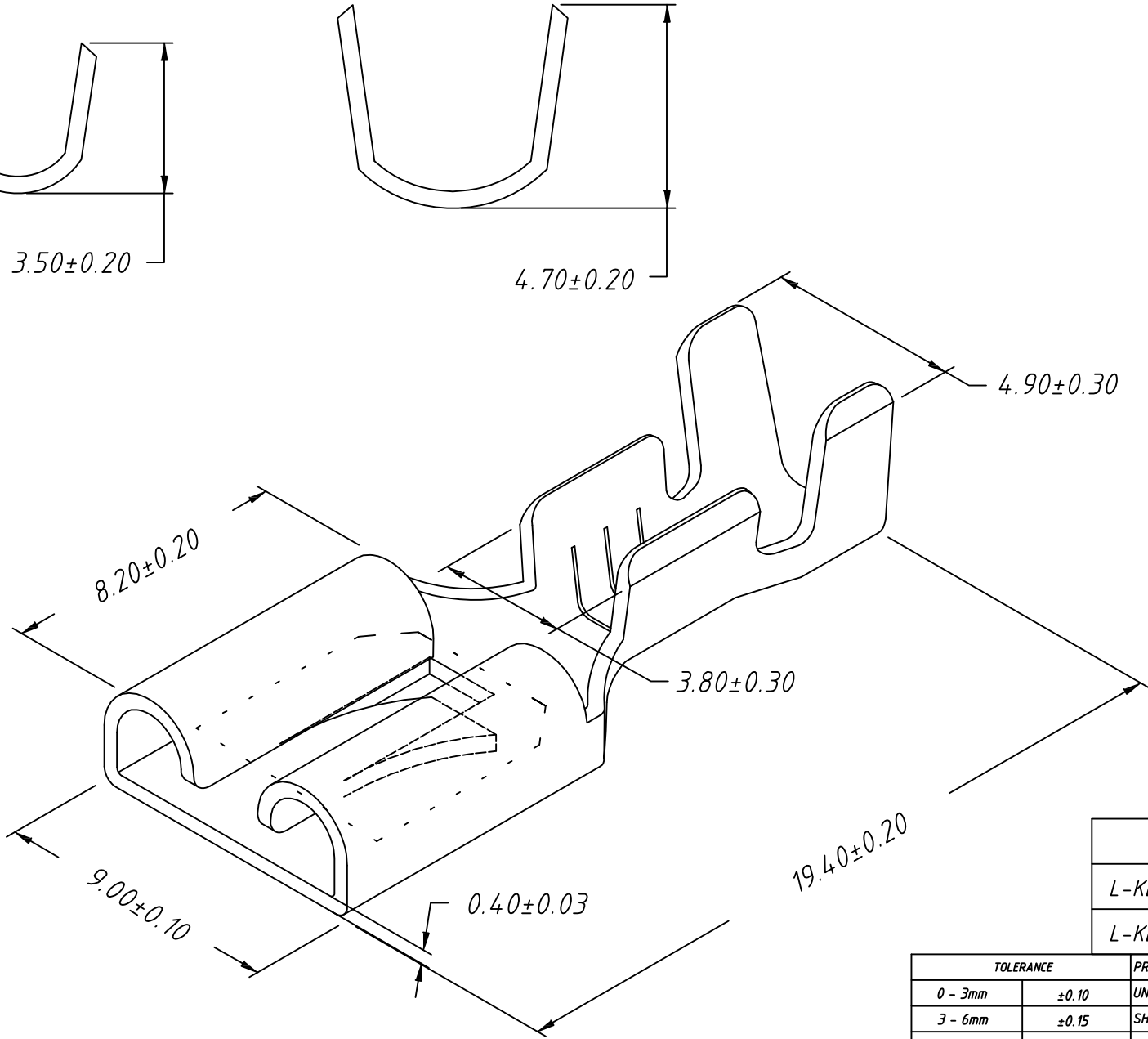
2. Material:

Brass C2680, T=0.40mm, Tin plating


3. Q'TY: 5000PCS/REEL

4. Connectoin Table: See Table

5. Wire Range: 14~16AWG



P/N	Connection Table
L-KLS8-EFE01-3120500	W7.90×T0.50mm
L-KLS8-EFE01-3120800	W7.90×T0.80mm

TOLERANCE		PROJECTION	Description:
0 - 3mm	±0.10	UNITS	312 Type Straight Female TERM. for Cable
3 - 6mm	±0.15	SHEET SIZE	
6 - 10mm	±0.20	KLS P/N: KLS8-EFE01-3120X00	
10 - 30mm	±0.25		
Draw: Daniel	ANGLE ±3°	 NingBo KLS ELECTRONIC CO.,L TD.	
Check: Daniel	Data: 2019-04-10		