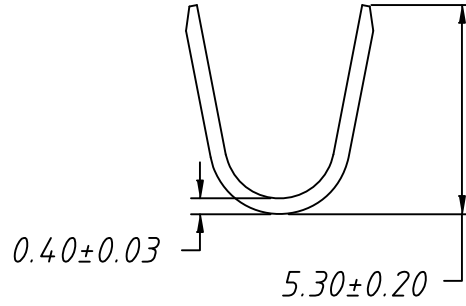
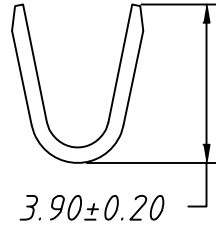


1
RoHS Compliant



Note:

1. Appearance: Terminal cannot be corrected, scratched or oxidized

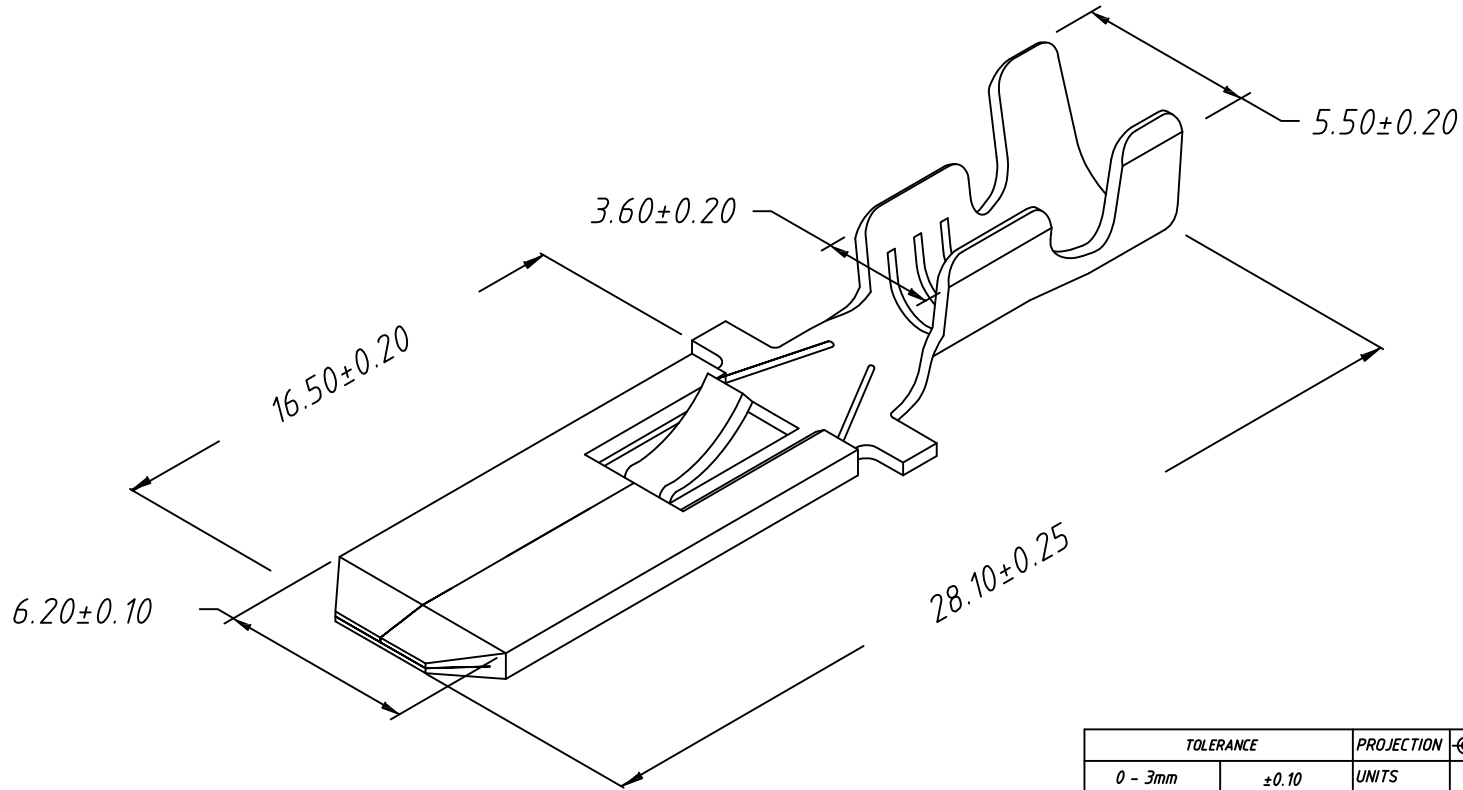
2. Material:

Brass C2680, T=0.40mm, Tin plating

3. Q'TY: 4500PCS/REEL

4. Connectoin Table: W6.20×T0.80mm

5. Wire Range: 14~16AWG



TOLERANCE		PROJECTION	Description:
0 - 3mm	±0.10	UNITS	mm
3 - 6mm	±0.15	SHEET SIZE	A4
6 - 10mm	±0.20	KLS P/N: KLSB-DMN04-2500800	
10 - 30mm	±0.25	KLS P/N: KLSB-DMN04-2500800	
Draw:	Daniel	ANGLE	±3°
Check:	Daniel	Data:	2019-04-10



NingBo KLS ELECTRONIC CO.,L TD.

250 Type
Straight Male TERM.