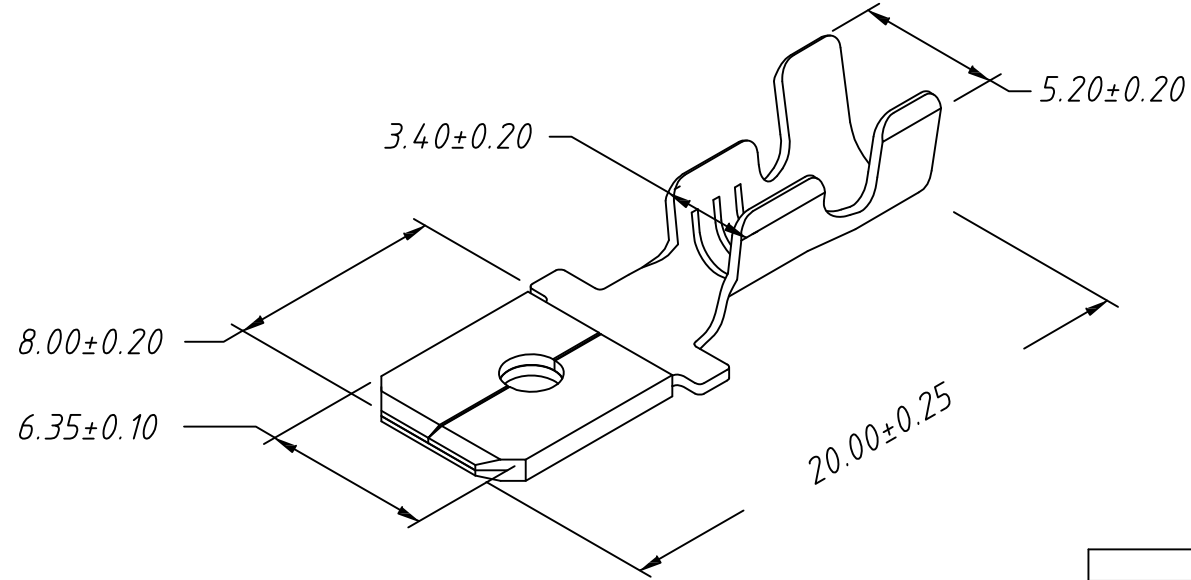
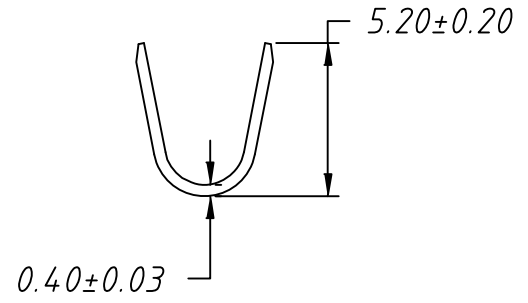
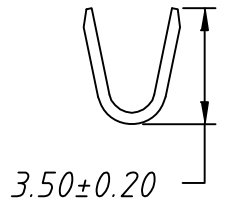


1
RoHS Compliant



Note:
 1. Appearance: Terminal cannot be corrected, scratched or oxidized
 2. Material: Brass C2680, T=0.40mm, Tin plating
 3. Q'TY: 5000PCS/REEL
 4. Connectoin Table: W6.35×T0.80mm
 5. Wire Range: 16~20AWG

TOLERANCE		PROJECTION	Description:
0 - 3mm	±0.10	UNITS	mm
3 - 6mm	±0.15	SHEET SIZE	A4
6 - 10mm	±0.20	KLS P/N: KLSB-DMN03-2500800	
10 - 30mm	±0.25	KLS ELECTRONIC	
Draw:	Daniel	ANGLE	±3°
Check:	Daniel	Data:	2019-04-10

250 Type
Straight Male TERM.

NingBo KLS ELECTRONIC CO.,L TD.