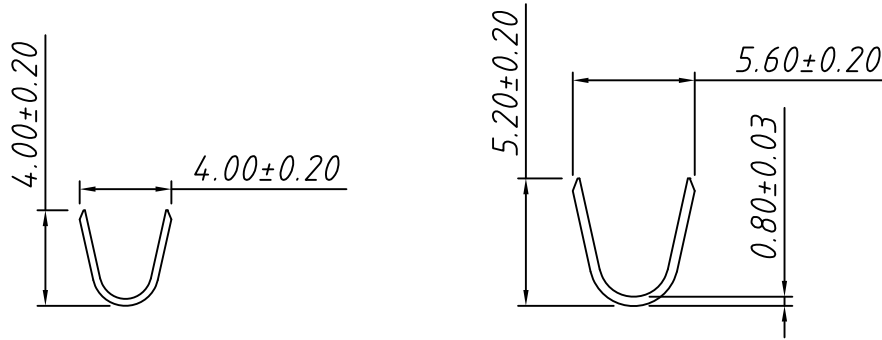
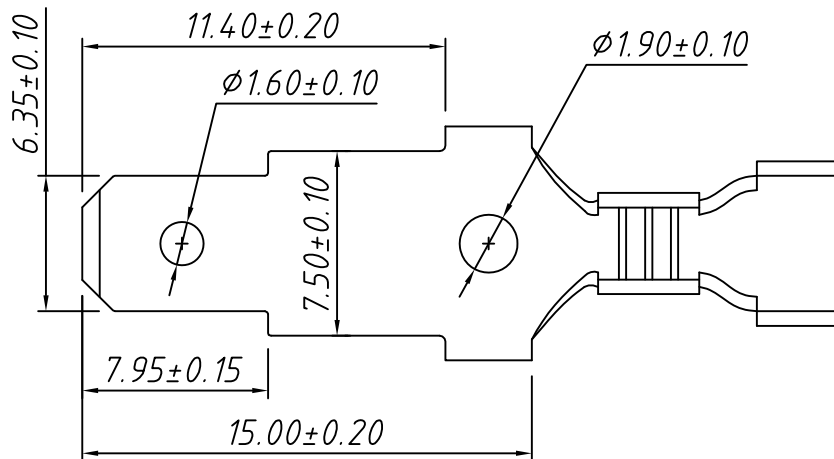
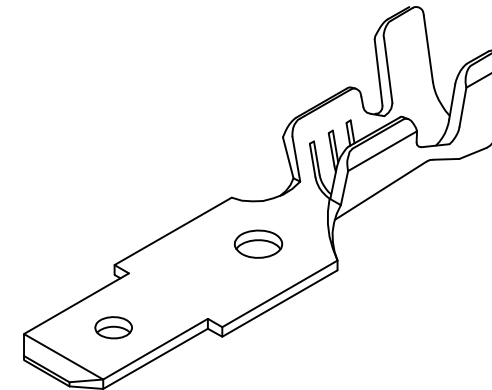
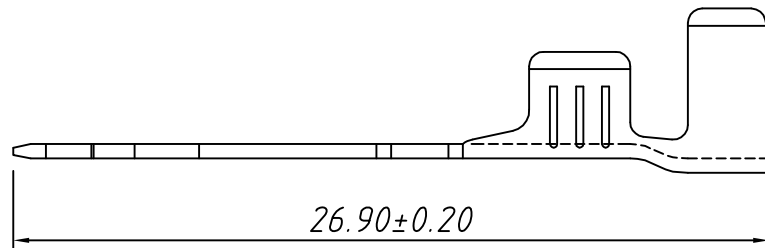


RoHS Compliant



Note:

1. Appearance: Terminal cannot be corrected, scratched or oxidized
2. Material:
Brass C2680, T=0.80mm, Tin plating
3. Q'TY: 3000PCS/REEL
4. Connectoin Table: W6.35×T0.80mm
5. Wire Range: 16~18AWG



TOLERANCE		PROJECTION	Description:
0 - 3mm	±0.10	UNITS	mm
3 - 6mm	±0.15	SHEET SIZE	A4
6 - 10mm	±0.20	KLS P/N: KLS8-DMN01-2500800	
10 - 30mm	±0.25		
Draw:	Daniel	ANGLE	±3°
Check:	Daniel	Data:	2019-04-10



NingBo KLS ELECTRONIC CO.,L TD.

250 Type
Straight Male TERM.