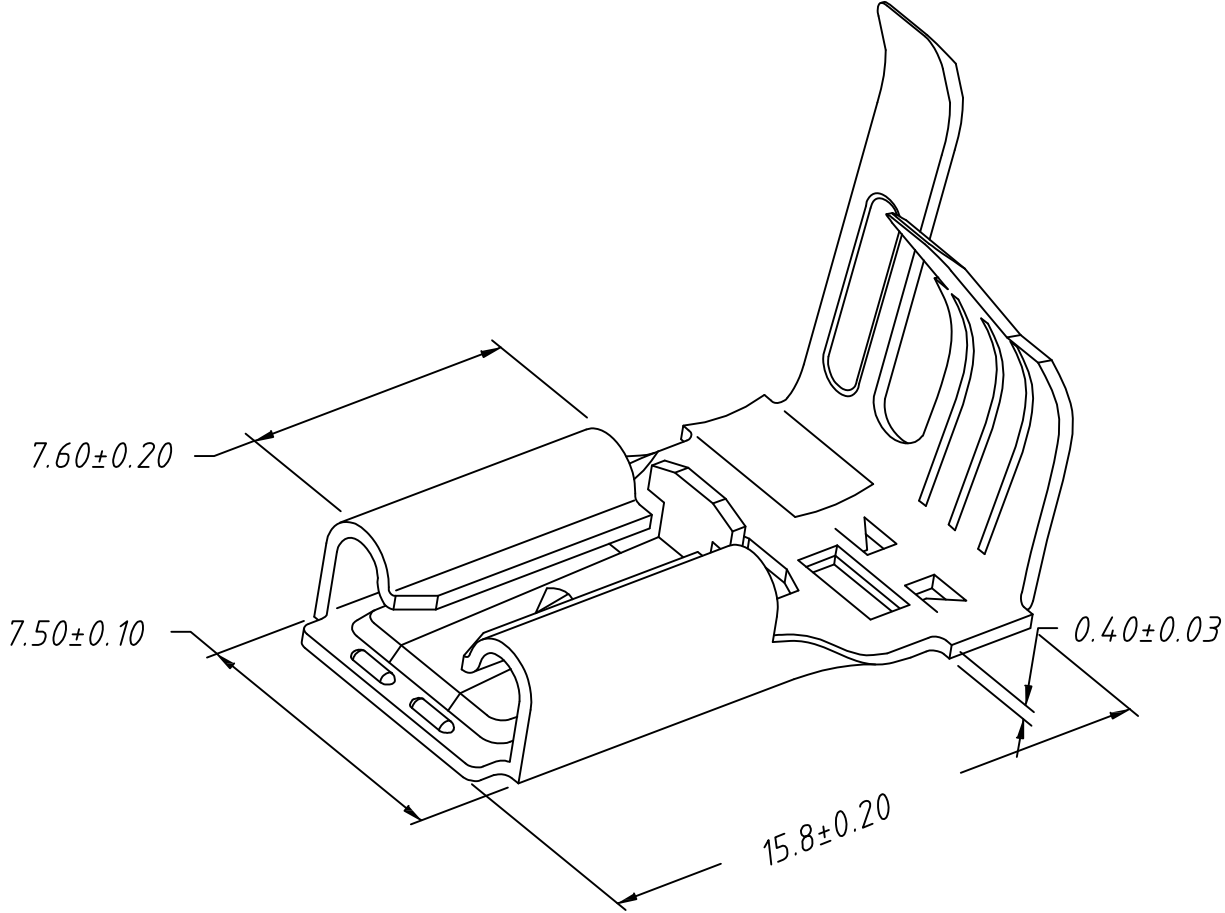



1  
RoHS Compliant

Note:  
 1. Appearance: Terminal cannot be corrected, scratched or oxidized  
 2. Material:  
     Brass C2680, T=0.40mm, Tin plating  
 3. Q'TY: 1000PCS/REEL  
 4. Connectoin Table: W6.3×T0.80mm  
 5. Wire Range: 16~18AWG  
                   18+20AWG  
                   20+22AWG



TOLERANCE		PROJECTION	Description:
0 - 3mm	±0.10	UNITS	mm
3 - 6mm	±0.15	SHEET SIZE	A4
6 - 10mm	±0.20	KLS P/N: KLS8-DFV01-2500800	
10 - 30mm	±0.25	250 Type FLAG Female TERM. With Lock	
Draw: Daniel	ANGLE ±3°	 NingBo KLS ELECTRONIC CO.,L TD.	
Check: Daniel	Data: 2019-04-10		