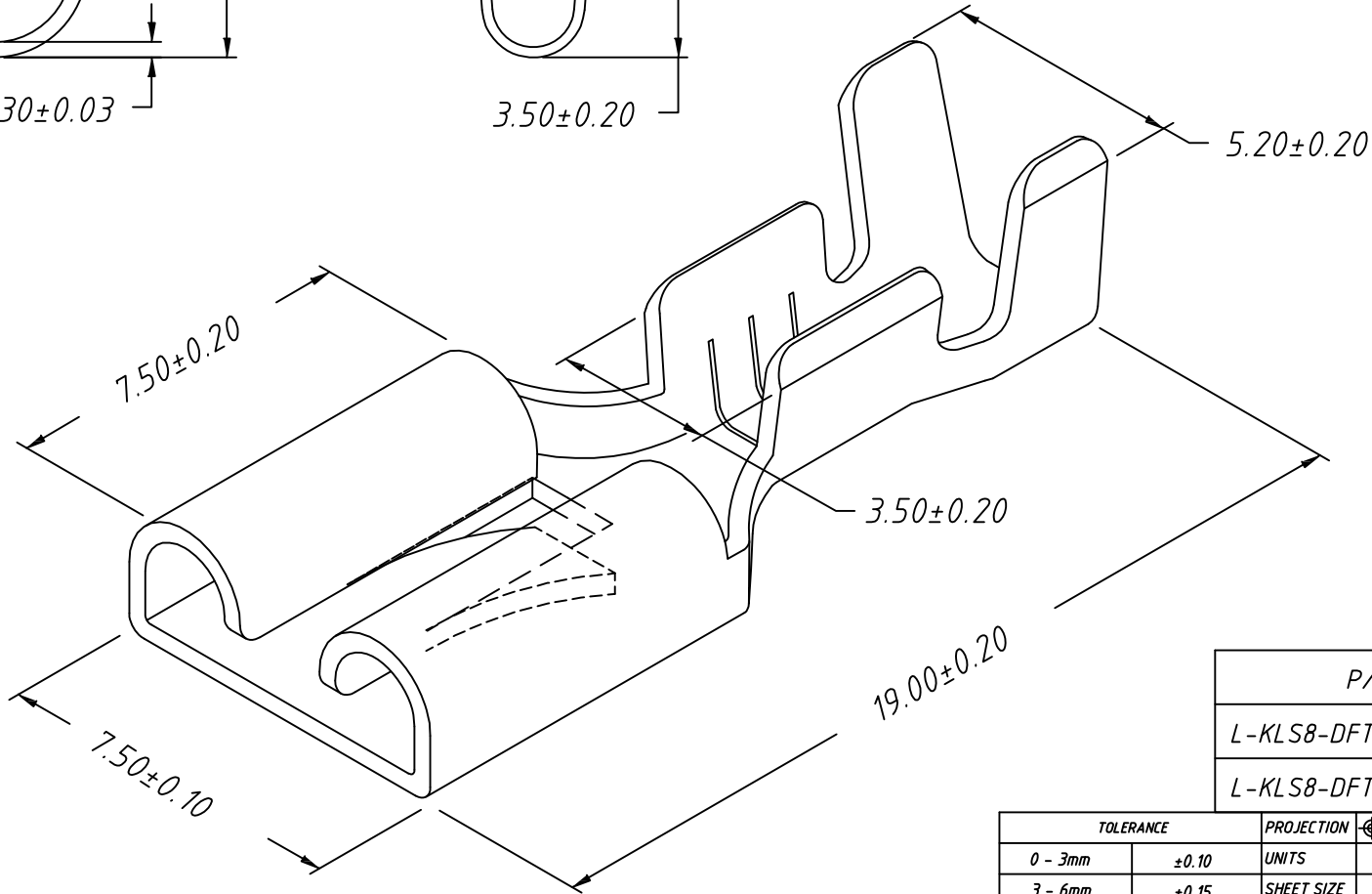
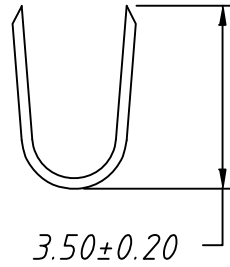
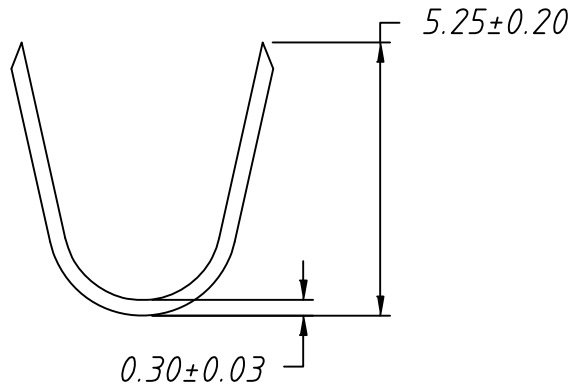



1
RoHS Compliant



Note:

1. Appearance: Terminal cannot be corrected, scratched or oxidized
2. Material:
Brass C2680, T=0.30mm, Tin plating
3. Q'TY: 5000PCS/REEL
4. Connectoin Table: See Table
5. Wire Range: 16~18AWG

P/N	Connection Table
L-KLS8-DFT02-2500500	W6.35×T0.50mm
L-KLS8-DFT02-2500800	W6.35×T0.80mm

TOLERANCE		PROJECTION	Description:
0 - 3mm	±0.10	UNITS	250 Type Straight Female TERM. WITH Latch
3 - 6mm	±0.15	SHEET SIZE	
6 - 10mm	±0.20	KLS P/N: KLS8-DFT02-2500X00	
10 - 30mm	±0.25		
Draw: Daniel	ANGLE ±3°	 NingBo KLS ELECTRONIC CO.,L TD.	
Check: Daniel	Data: 2019-04-10		