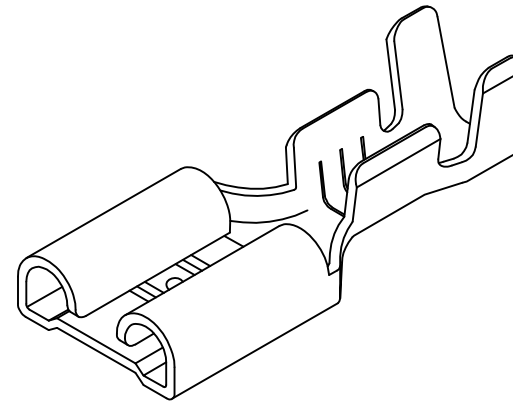
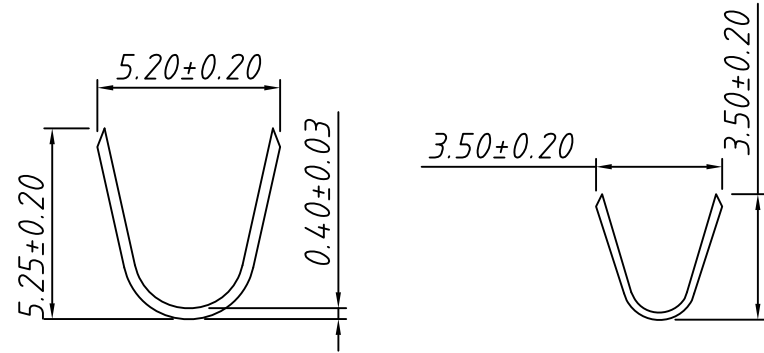
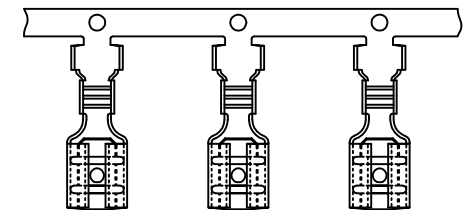
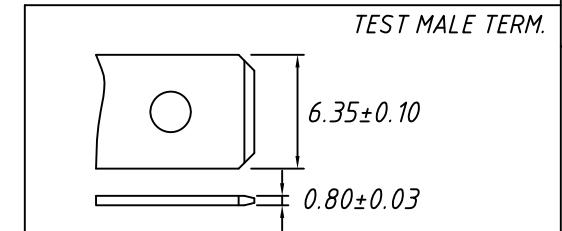
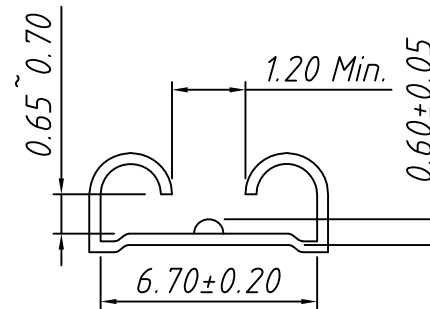
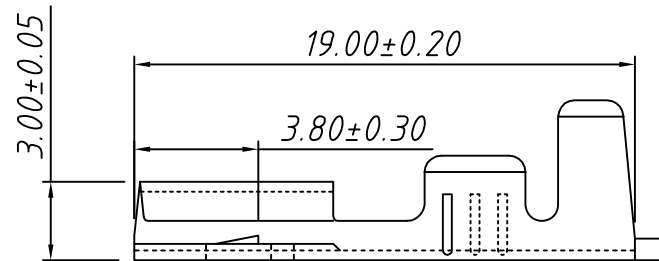
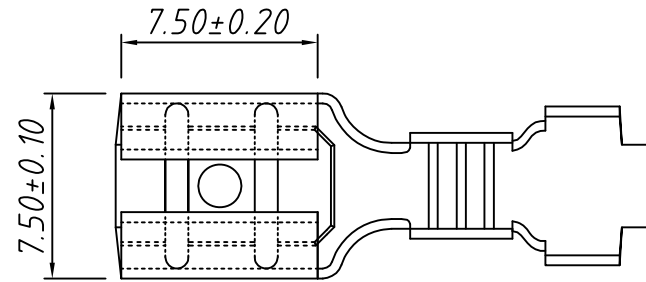



1 RoHS Compliant



Note:

1. Appearance: Terminal cannot be corrected, scratched or oxidized
2. Material: Brass C2680, T=0.40mm, Tin plating
3. Q'TY: 2500PCS/REEL
4. Connectoin Table: W6.35×T0.80mm
5. Wire Range: 16~20AWG



TOLERANCE		PROJECTION	Description:
0 - 3mm	±0.10	UNITS	250 Type Straight
3 - 6mm	±0.15	SHEET SIZE	Female TERM. for Cable
6 - 10mm	±0.20	KLS P/N: KLS8-DFE07-2500800	
10 - 30mm	±0.25		
Draw: Daniel	ANGLE ±3°	 NingBo KLS ELECTRONIC CO.,L TD.	
Check: Daniel	Data: 2019-04-10		