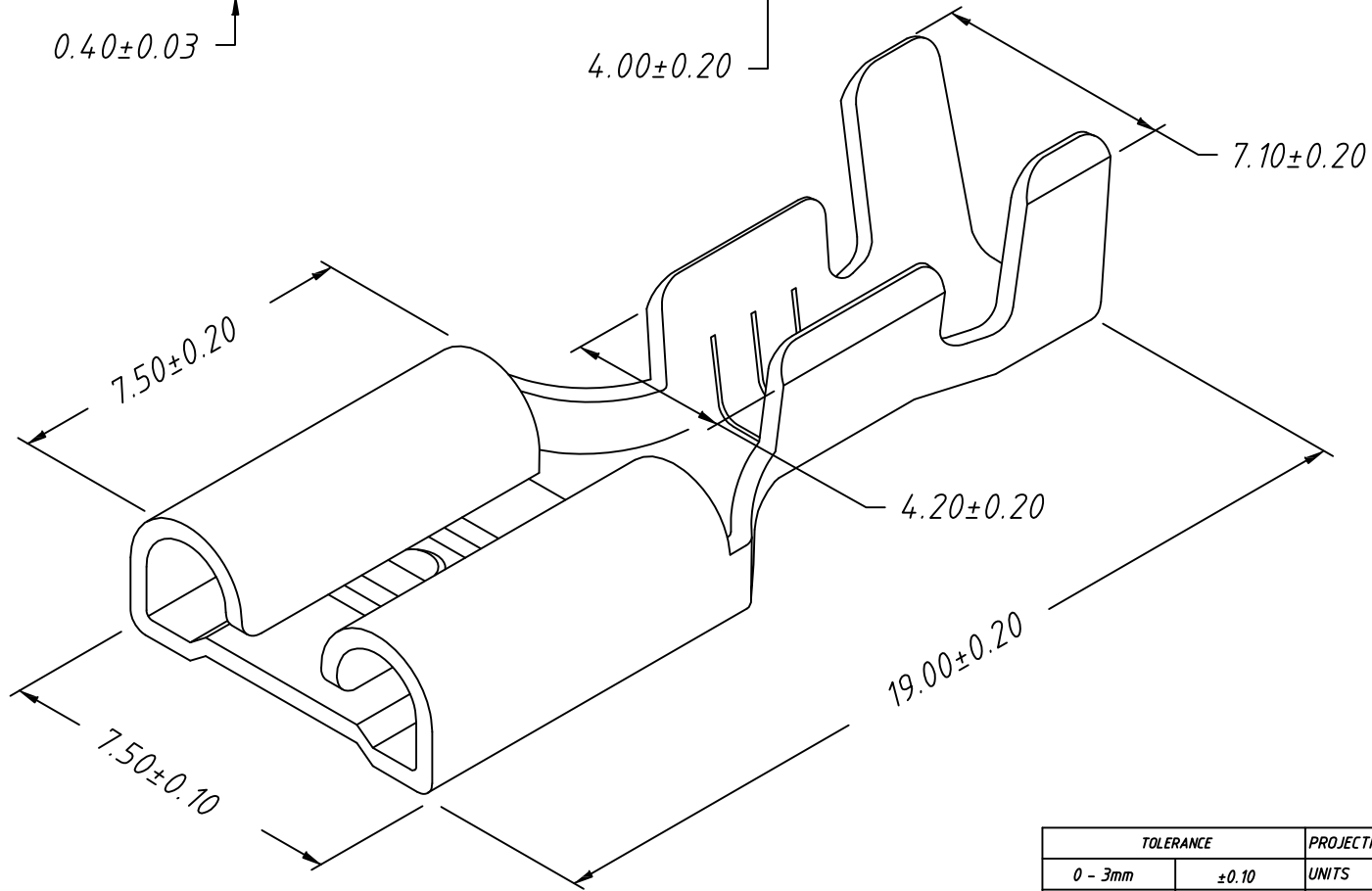
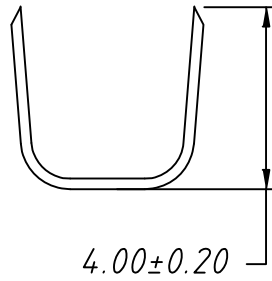
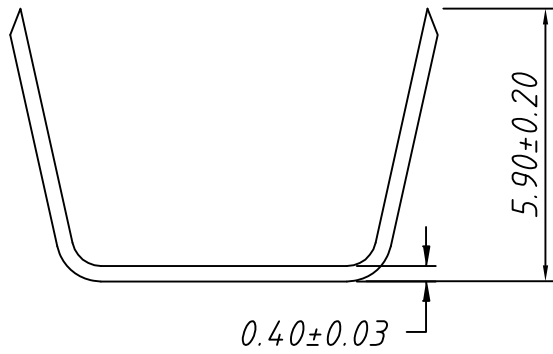



1
RoHS Compliant



- Note:
1. Appearance: Terminal cannot be corrected, scratched or oxidized
 2. Material: Brass C2680, T=0.40mm, Tin plating
 3. Q'TY: 5000PCS/REEL
 4. Connectoin Table: W6.35×T0.80mm
 5. Wire Range: 12~14AWG or 16+18AWG or 16+20AWG or 18+18AWG

TOLERANCE		PROJECTION	Description:
0 - 3mm	±0.10	UNITS	mm
3 - 6mm	±0.15	SHEET SIZE	A4
6 - 10mm	±0.20	KLS P/N: KLS8-DFE05-2500800	
10 - 30mm	±0.25	250 Type Straight Female TERM. for Cable	
Draw: Daniel	ANGLE ±3°	 NingBo KLS ELECTRONIC CO.,L TD.	
Check: Daniel	Data: 2019-04-10		