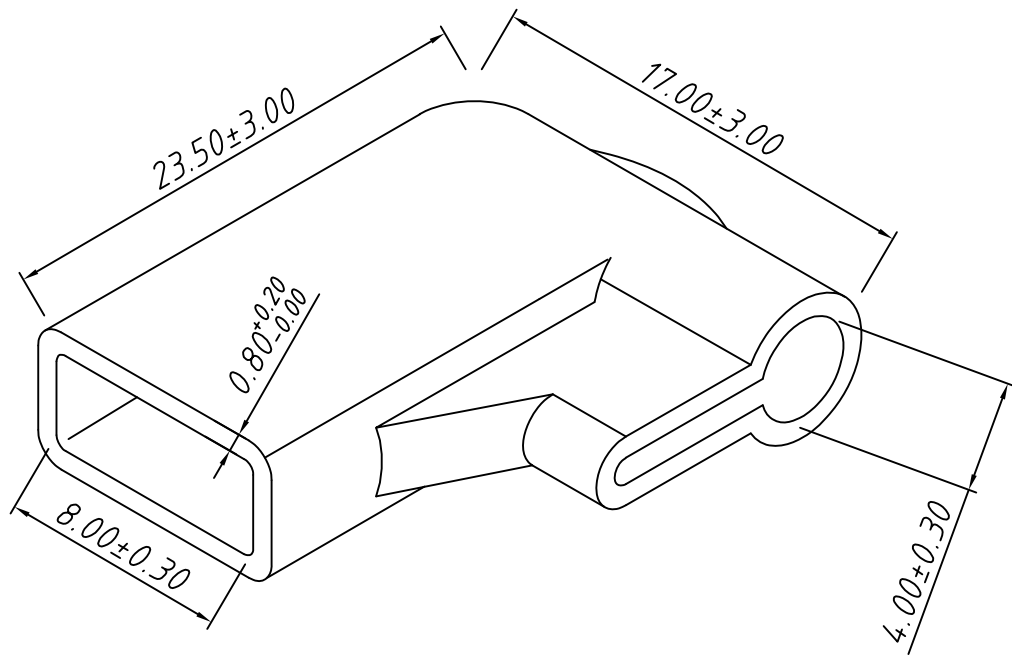


1  
RoHS Compliant

Note:  
 1. Appearance: Have not impress bubble short of glues; not strange color and impurity.  
 2. Material: PVC UL94V-2, Transparent  
 3. Q'TY: 2000PCS/BAG  
 4. Suitabe Terminal: KLS8-DFR01



TOLERANCE		PROJECTION	Description:
0 - 3mm	±0.10	UNITS	mm
3 - 6mm	±0.15	SHEET SIZE	A4
6 - 10mm	±0.20	KLS P/N: KLS8-DDR09	
10 - 30mm	±0.25		

Draw: Daniel ANGLE ±3°  
 Check: Daniel Data: 2019-04-10



NingBo KLS ELECTRONIC CO.,L TD.