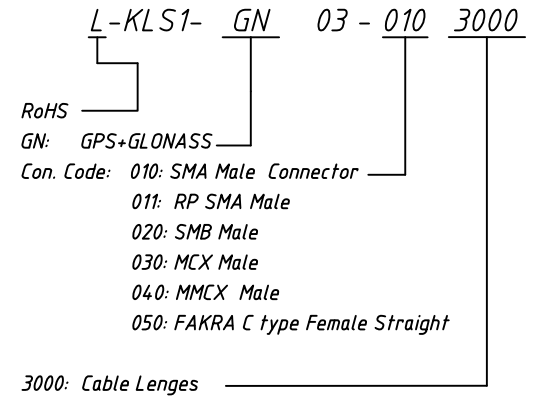


Specification:
 Antenna
 Center Frequency: 1602-1610MHz / 1575.42±3MHz
 Band Width: CF±5MHz
 Polarization: RHCP
 Gain: 5dBic
 V.S.W.R.: <1.5
 Impedance: 50Ω
 Axial Ratio: 3dB (max)

LAN
 Gain: 28±2dB
 Noise Figure: <1.5
 Filter Insertion Loss: <3dB
 Ex-band Attenuation: 35dB@CF±50MHz/50dB@CF±100MHz
 Supply Voltage: 2.2~5V DC
 Current Consumption: 10~20mA
 V.S.W.R.: <2.0
 Cable: RG174
 Connector: SMA/MCX/FAKRA or others
 Radome Material: ABS
 Mounting Method: Screw
 Operating Temperature: -40℃~+85℃

Order Information



| | | | | | |
|-------------------|-------|------------|-------------------|-----------------------|---------------------------------|
| ANGLE TOLERANCE | | | | Description: | |
| X. | ±5° | PROJECTION | | GPS + Glonass Antenna | |
| GENERAL TOLERANCE | | UNITS | mm | KLS P/N: | L-KLS1-GN03-010XXXX |
| X. | ±0.60 | SHEET SIZE | A4 | | NingBo KLS ELECTRONIC CO.,L TD. |
| .X | ±0.38 | Draw: | Daniel 2019-01-21 | | |
| .XX | ±0.25 | Check: | Daniel 2019-01-21 | | |